

DGE HO-2RS

Data sheet - rev. 1.0

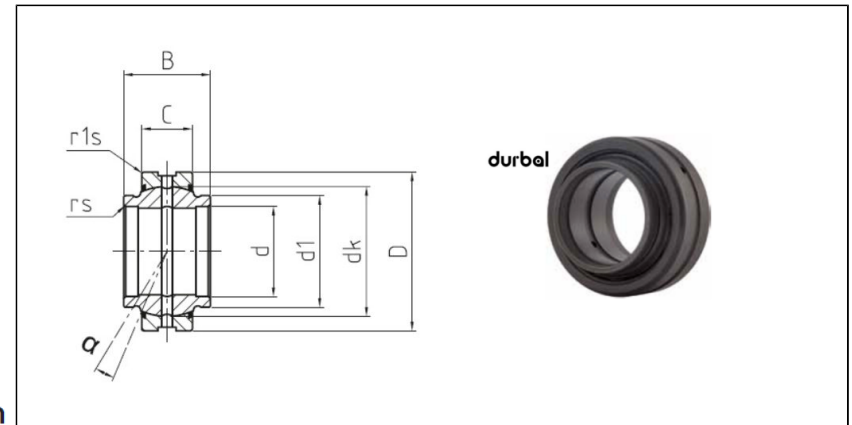
Spherical Plain Bearings - Basic Line

Spherical-plain bearing sliding combination steel / steel, with -2RS lip seals on both sides, according to DIN-ISO 12240-1

FEATURES AND ADVANTAGES

- Outer ring: ball bearing steel, hardened, ground, phosphated, single split, with oil groove and drill holes, with -2RS lip seals on both sides
- Joint ball: ball bearing steel, hardened, ground, phosphated
- Maintenance: maintenance required, oiled on delivery, initial lubrication by the user
- Temperature range: -40° C to +120° C
- USE & MAINTENANCE : [see this page](#)
- STATIC LOAD SERVICE LIFE : [see this page](#)
- TOLERANCES : [see this page](#)

COMPONENTS AND DIMENSIONS



Type	Measurements [mm]								Tilt angle	Rotational speed limit	Axial factor		Basic load rating		Radial clearance	Weight
	d	D	d1	B	C	dk	rs	rs1	α (°)	n_{max} (min ⁻¹)	Y	YO	dyn C (kN)	stat C0 (kN)	CN (µm)	kg
DGE 20 HO-2RS	20	35	24	24	12	29	0.2	0.3	3	-	-	-	30	146	40-82	0.07
DGE 25 HO-2RS	25	42	29	29	16	35.5	0.2	0.6	3	-	-	-	48	240	50-100	0.12
DGE 30 HO-2RS	30	47	34.2	30	18	40.7	0.2	0.6	3	-	-	-	62	310	50-100	0.15
DGE 35 HO-2RS	35	55	40	35	20	47	0.3	1	3	-	-	-	80	400	50-100	0.26
DGE 40 HO-2RS	40	62	45	38	22	53	0.3	1	3	-	-	-	100	500	60-120	0.32
DGE 45 HO-2RS	45	68	51.5	40	25	60	0.3	1	3	-	-	-	127	640	60-120	0.43
DGE 50 HO-2RS	50	75	56.5	43	28	66	0.3	1	3	-	-	-	156	780	60-120	0.55
DGE 60 HO-2RS	60	90	67.7	54	36	80	0.3	1	3	-	-	-	245	1220	60-120	1.1
DGE 70 HO-2RS	70	105	78	65	40	92	0.3	1	3	-	-	-	315	1560	72-142	1.6
DGE 80 HO-2RS	80	120	90	74	45	105	0.3	1	3	-	-	-	400	2000	72-142	2.5

ROTATIONAL UNITS