

DGEC FBAS

Data sheet - rev. 1.0

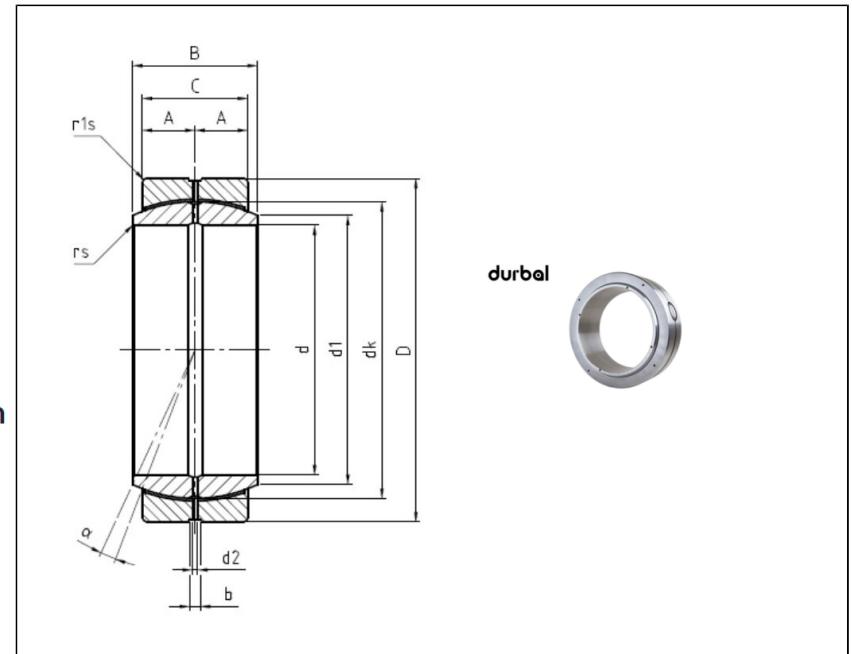
Spherical Plain Bearings - Basic Line

XXL-Large-radial-spherical-plain bearing, sliding combination steel / PTFE, according to DIN ISO 12240-1

FEATURES AND ADVANTAGES

- Outer ring: heat-treated steel, hardened, axially split, that is bolted together, bonded with PTFE – sheet
- Joint ball: ball bearing steel, hardened, ground, polished and hard chromium plated
- Maintenance: maintenance free
- Temperature range: -40° C to +200° C
- USE & MAINTENANCE : [see this page](#)
- STATIC LOAD SERVICE LIFE : [see this page](#)
- TOLERANCES : [see this page](#)

COMPONENTS AND DIMENSIONS



Type	Measurements [mm]								Tilt angle α (°)	Rotational speed limit n_{max} (min ⁻¹)	Axial factor		Basic load rating		Radial clearance CN (µm)	Weight kg
	d	D	d1	B	C	dk	rs	rs1			Y	Y0	dyn C (kN)	stat C0 (kN)		
DGEC 320 FBAS	320	440	345	160	135	380	1.1	3	4	-	-	3078	4617	125-239	73	
DGEC 340 FBAS	340	460	367	160	135	400	1.1	3	3	-	-	3240	4860	125-239	77	
DGEC 360 FBAS	360	480	388	160	135	420	1.1	3	3	-	-	3402	5103	135-261	80	
DGEC 380 FBAS	380	520	408	190	160	450	1.5	4	4	-	-	4320	6480	135-261	120	
DGEC 400 FBAS	400	540	430	190	160	470	1.5	4	3	-	-	4512	6768	135-261	125	
DGEC 420 FBAS	420	560	452	190	160	490	1.5	4	3	-	-	4704	7056	135-261	130	
DGEC 440 FBAS	440	600	472	218	185	520	1.5	4	3	-	-	5772	8658	145-285	180	
DGEC 460 FBAS	460	620	494	218	185	540	1.5	4	3	-	-	5994	8991	145-285	190	
DGEC 480 FBAS	480	650	516	230	195	565	2	5	3	-	-	6611	9916	145-285	220	
DGEC 500 FBAS	500	670	538	230	195	585	2	5	3	-	-	6845	10267	145-285	230	
DGEC 530 FBAS	530	710	570	243	205	620	2	5	3	-	-	7626	11439	145-285	270	
DGEC 560 FBAS	560	750	602	258	215	655	2	5	4	-	-	8450	12674	160-320	320	
DGEC 600 FBAS	600	800	645	272	230	700	2	5	3	-	-	9660	14490	160-320	385	

ROTATIONAL UNITS