

# CMP

Data sheet - rev. 1.0

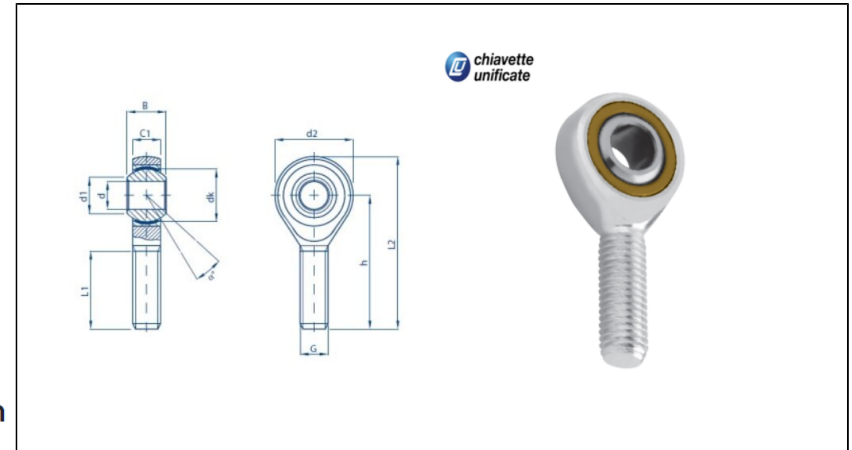
## Rod Ends - Tesno Standard

Self-lubricating rod ends with PTFE, male thread, series K, DIN ISO 12240-4, maintenance free

### FEATURES AND ADVANTAGES

- **HOUSING:** C45 steel, galvanized surface free of Cr VI
- **OUTER RING:** brass and PTFE bonded on the inner surface
- **INNER RING:** tempered, ground and polished steel for bearings 100Cr6 (1.3505)
- **MAINTENANCE:** maintenance free
- **TEMPERATURE RANGE:** -40° C to +200° C
- **USE & MAINTENANCE :** [see this page](#)
- **STATIC LOAD SERVICE LIFE :** [see this page](#)
- **TOLERANCES :** [see this page](#)

### COMPONENTS AND DIMENSIONS



Type		Measurements [mm]															Tilt angle	Rotational speed limit	Axial factor		Basic load rating		Radial clearance	Weight
Right hand thread	Left hand thread	d	G	B	C1	h/h1	d1	d2	d3	d4	dk	I1/13	I2/14	I5	I7	W	$\alpha$ (°)	$n_{max}$ (min <sup>-1</sup> )	Y	Y0	dyn C (kN)	stat C0 (kN)	CN (µm)	kg
CMP5 M5	CMPL5 M5	5	M5	8	6	33	7.7	18	-	-	11.11	19	42	-	-	-	13	-	-	-	8.3	4.3	0-32	0.02
CMP6 M6	CMPL6 M6	6	M6	9	6.75	36	8.9	20	-	-	12.7	21	46	-	-	-	13	-	-	-	11	6.1	0-32	0.02
CMP8 M8	CMPL8 M8	8	M8	12	9	42	10.4	24	-	-	15.87	25	54	-	-	-	14	-	-	-	19	11.2	0-32	0.04
CMP10 M10	CMPL10 M10	10	M10	14	10.5	48	12.9	28	-	-	19.05	28	62	-	-	-	13	-	-	-	27.1	17.8	0-32	0.06
CMP12 M12	CMPL12 M12	12	M12	16	12	54	15.4	32	-	-	22.22	32	70	-	-	-	13	-	-	-	36.7	23	0-40	0.1
CMP14 M14	CMPL14 M14	14	M14	19	13.5	60	16.8	36	-	-	25.4	36	78	-	-	-	15	-	-	-	47.6	25.1	0-40	0.13
CMP16 M16x1.5	CMPL16 M16x1.5	16	M16x1.5	21	15	66	19.3	42	-	-	28.57	37	87	-	-	-	15	-	-	-	60	34.6	0-40	0.21
CMP16 M16	CMPL16 M16	16	M16	21	15	66	19.3	42	-	-	28.57	37	87	-	-	-	15	-	-	-	60	34.6	0-40	0.21
CMP18 M18x1.5	CMPL18 M18x1.5	18	M18x1.5	23	16.5	72	21.8	46	-	-	31.75	41	95	-	-	-	15	-	-	-	73.8	42	0-40	0.26
CMP20 M20	CMPL20 M20	20	M20	25	19	78	24.3	50	-	-	34.52	45	103	-	-	-	14	-	-	-	89	43.2	0-50	0.37
CMP20 M20x1.5	CMPL20 M20x1.5	20	M20x1.5	25	18	78	24.3	50	-	-	34.92	45	103	-	-	-	14	-	-	-	89	43.2	0-50	0.37
CMP22 M22x1.5	CMPL22 M22x1.5	22	M22x1.5	28	20	84	25.8	54	-	-	38.1	48	111	-	-	-	15	-	-	-	108.6	57.6	0-50	0.44
CMP25 M24x2	CMPL25 M24x2	25	M24x2	31	22	94	29.5	60	-	-	42.85	55	124	-	-	-	15	-	-	-	135	68.6	0-50	0.59
CMP30 M30x2	CMPL30 M30x2	30	M30x2	37	25	110	34.8	70	-	-	50.8	66	145	-	-	-	15	-	-	-	182.9	90	0-50	1.06
CMP35 M36x2	CMPL35 M36x2	35	M36x2	43	28	140	37.7	80	-	-	57.15	85	180	-	-	-	19	-	-	-	231.5	121	0-50	0.64
CMP40 M42x2	CMPL40 M42x2	40	M42x2	49	33	142	45.1	91	-	-	66.6	82	187.5	-	-	-	16	-	-	-	319.7	126.7	0-50	2.37
CMP50 M48x2	CMPL50 M48x2	50	M48x2	60	45	160	56.6	117	-	-	82.5	80	218.5	-	-	-	14	-	-	-	544.5	291.6	0-50	4.64