

# CFPX

Data sheet - rev. 1.0

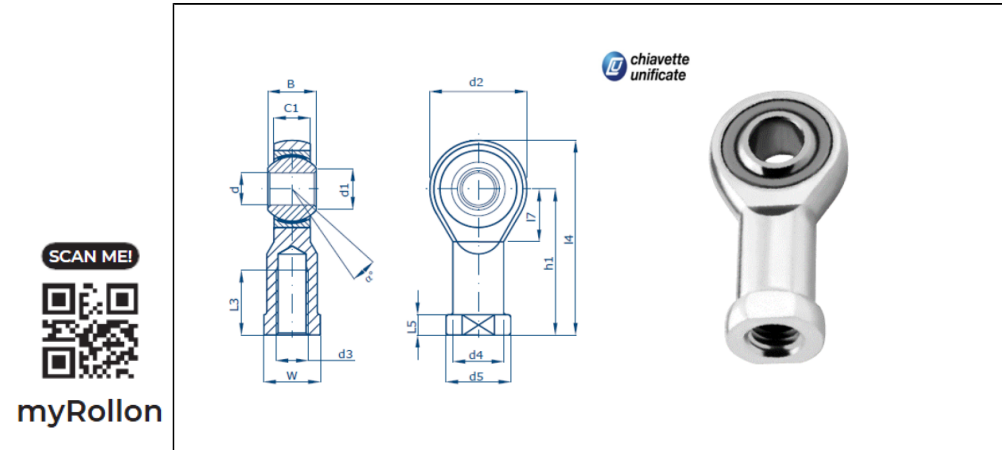
## Rod Ends - Tesno Stainless Steel

Self-lubricating rod ends stainless steel with PTFE, female thread, series K, DIN ISO 12240-4, maintenance free

### FEATURES AND ADVANTAGES

- **HOUSING:** stainless steel X5CrNi1810 (1.4301 – AISI 304)
- **OUTER RING:** stainless steel X5CrNi1810 (1.4301 – AISI 304) with PTFE bonded on the inner surface
- **INNER RING:** AISI 440c stainless steel
- **MAINTENANCE:** maintenance free
- **TEMPERATURE RANGE:** -40° C to +200° C
- **USE & MAINTENANCE :** [see this page](#)
- **STATIC LOAD SERVICE LIFE :** [see this page](#)
- **TOLERANCES :** [see this page](#)

### COMPONENTS AND DIMENSIONS



Type		Measurements [mm]															Tilt angle	Rotational speed limit	Axial factor		Basic load rating		Radial clearance	Weight
Right hand thread	Left hand thread	d	G	B	C1	h/h1	d1	d2	d3	d4	dk	l1/l3	l2/l4	l5	l7	W	$\alpha$ (°)	$n_{max}$ (min <sup>-1</sup> )	$\gamma$	$\gamma_0$	dyn C (kN)	stat C0 (kN)	CN ( $\mu$ m)	kg
CFPX5 M5	CFPXL5 M5	5	M5	8	6	27	7.7	18	9	11	11	10	36	4	10	9	13	-	-	-	8.3	7.7	0-32	0.02
CFPX6 M6	CFPXL6 M6	6	M6	9	6.8	30	8.9	20	10	13	13	12	40	5	11	11	13	-	-	-	11	6.9	0-32	0.03
CFPX8 M8	CFPXL8 M8	8	M8	12	9	36	10.4	24	13	16	16	16	48	5	13	14	14	-	-	-	19	11.5	0-32	0.05
CFPX10 M10	CFPXL10 M10	10	M10	14	11	43	12.9	28	15	19	19	20	57	6.5	15	17	13	-	-	-	27.1	16.1	0-32	0.07
CFPX10 M10x1.25	CFPXL10 M10x1.25	10	M10x1.25	14	11	43	12.9	28	15	19	19	20	57	6.5	15	17	13	-	-	-	27.1	16.1	0-32	0.07
CFPX12 M12x1.25	CFPXL12 M12x1.25	12	M12x1.25	16	12	50	15.4	32	18	22	22	22	66	6.5	17	19	13	-	-	-	36.7	18.4	0-40	0.11
CFPX12 M12	CFPXL12 M12	12	M12	16	12	50	15.4	32	18	22	22	22	66	6.5	17	19	13	-	-	-	36.7	18.4	0-40	0.11
CFPX14 M14	CFPXL14 M14	14	M14	19	14	57	16.8	36	20	25	25	25	75	8	19	22	15	-	-	-	47.6	25.1	0-40	0.16
CFPX16 M16	CFPXL16 M16	16	M16	21	15	64	19.3	42	22	27	29	28	85	8	23	22	15	-	-	-	60	34.8	0-40	0.23
CFPX16 M16x1.5	CFPXL16 M16x1.5	16	M16x1.5	21	15	64	19.3	42	22	27	29	28	85	8	23	22	15	-	-	-	60	34.8	0-40	0.23
CFPX18 M18x1.5	CFPXL18 M18x1.5	18	M18x1.5	23	17	71	21.8	46	25	31	32	32	94	10	25	27	15	-	-	-	73.8	42.1	0-40	0.3
CFPX20 M20	CFPXL20 M20	20	M20	25	18	77	24.3	50	28	34	35	33	102	10	27	30	14	-	-	-	89	41.8	0-50	0.4
CFPX20 M20x1.5	CFPXL20 M20x1.5	20	M20x1.5	25	18	77	24.3	50	28	34	35	33	102	10	27	30	14	-	-	-	89	41.8	0-50	0.4
CFPX25 M24x2	CFPXL25 M24x2	25	M24x2	31	22	94	29.5	60	33.5	42	42.85	42	124	12	32	36	15	-	-	-	135	66.4	0-50	1.65
CFPX30 M27x2	CFPXL30 M27x2	30	M27x2	37	25	110	34.8	70	40	50	50.8	51	145	15	36	41	17	-	-	-	182.9	87	0-50	1.12
CFPX35 M36x2	CFPXL35 M36x2	35	M36x2	43	28	125	37.7	80	46	58	57.15	56	165	17	41	50	16	-	-	-	231.5	116.9	0-50	1.6

# ROTATIONAL UNITS