

# CM TOP

Data sheet - rev. 1.0

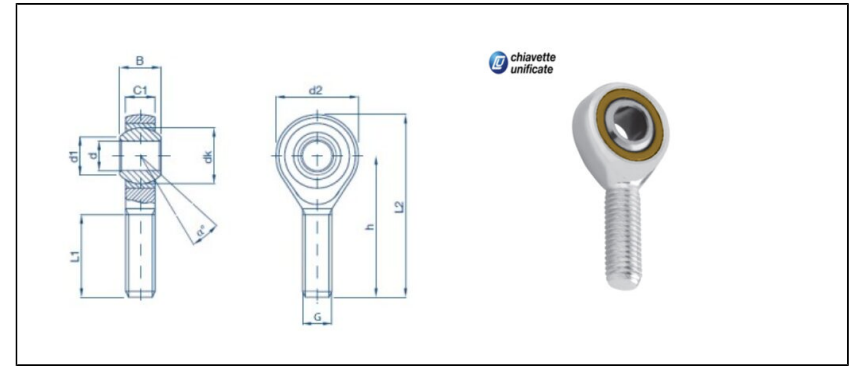
## Rod Ends - Tescubal Top

Self-lubricating rod ends, male thread, series K, DIN ISO 12240-4, maintenance free

### FEATURES AND ADVANTAGES

- **HOUSING:** up to size 12 automatic steel 11SMnPb30 (1.0718), from size 14 carbon steel C40 (1.1186), galvanized surface free of Cr VI
- **OUTER RING:** sintered bronze impregnated with high efficiency lubricating fluid
- **INNER RING:** tempered, ground and polished steel for bearings 100Cr6 (1.3505)
- **MAINTENANCE:** maintenance free
- **TEMPERATURE RANGE:** -30° C to +120° C
- **USE & MAINTENANCE :** [see this page](#)
- **STATIC LOAD SERVICE LIFE :** [see this page](#)
- **TOLERANCES :** [see this page](#)

### COMPONENTS AND DIMENSIONS



SCAN ME!



myRollon

Type		Measurements [mm]															Tilt angle	Rotational speed limit	Axial factor		Basic load rating		Radial clearance	Weight
Right hand thread	Left hand thread	d	G	B	C1	h/h1	d1	d2	d3	d4	dk	I1/13	I2/14	I5	I7	W	$\alpha$ (°)	$n_{max}$ (min <sup>-1</sup> )	Y	Y0	dyn C (kN)	stat C0 (kN)	CN ( $\mu$ m)	kg
CM5 M5	CML5 M5	5	M5	8	6	33	7.7	18	-	-	11.11	19	42	-	-	-	13	-	-	-	4.3	4.1	5-50	0.02
CM6 M6	CML6 M6	6	M6	9	6.75	36	8.9	20	-	-	12.7	21	46	-	-	-	13	-	-	-	5.6	5.7	5-50	0.02
CM8 M8	CML8 M8	8	M8	12	9	42	10.4	24	-	-	15.87	25	54	-	-	-	14	-	-	-	9.4	10.5	7-61	0.04
CM10 M10x1.25	CML10 M10x1.25	10	M10x1.25	14	10.5	48	12.9	28	-	-	19.05	28	62	-	-	-	13	-	-	-	13.3	16.7	8-75	0.06
CM10 M10	CML10 M10	10	M10	14	10.5	48	12.9	28	-	-	19.05	28	62	-	-	-	13	-	-	-	13.3	16.7	7-61	0.06
CM12 M12	CML12 M12	12	M12	16	12	54	15.4	32	-	-	22.22	32	70	-	-	-	13	-	-	-	17.9	23	8-75	0.1
CM12 M12x1.25	CML12 M12x1.25	12	M12x1.25	16	12	54	15.4	32	-	-	22.22	32	70	-	-	-	13	-	-	-	17.9	23	8-75	0.1
CM14 M14	CML14 M14	14	M14	19	13.5	60	16.8	36	-	-	25.4	36	78	-	-	-	15	-	-	-	23.1	26.8	8-75	0.13
CM16 M16	CML16 M16	16	M16	21	15	66	19.3	42	-	-	28.57	37	87	-	-	-	15	-	-	-	29	36.9	8-75	0.21
CM16 M16x1.5	CML16 M16x1.5	16	M16x1.5	21	15	66	19.3	42	-	-	28.57	37	87	-	-	-	15	-	-	-	35.6	36.9	8-75	0.21
CM18 M18x1.5	CML18 M18x1.5	18	M18x1.5	23	16.5	72	32.8	46	-	-	31.75	41	95	-	-	-	15	-	-	-	35.6	44.8	8-75	0.26
CM20 M20x1.5	CML20 M20x1.5	20	M20x1.5	25	18	78	24.3	50	-	-	34.92	45	103	-	-	-	14	-	-	-	42.8	46.1	10-92	0.37
CM20 M20	CML20 M20	20	M20	25	18	78	24.3	50	-	-	34.52	45	103	-	-	-	14	-	-	-	42.8	46.1	10-92	0.37
CM22 M22x1.5	CML22 M22x1.5	22	M22x1.5	28	20	84	25.8	54	-	-	38.1	48	111	-	-	-	15	-	-	-	52	61.4	10-92	0.44
CM25 M24x2	CML25 M24x2	25	M24x2	31	22	94	29.5	60	-	-	42.85	55	124	-	-	-	15	-	-	-	64.5	73.2	10-92	0.59
CM30 M30x2	CML30 M30x2	30	M30x2	37	25	110	34.8	70	-	-	50.8	66	145	-	-	-	15	-	-	-	87.1	96	10-92	1.06
CM35 M36x2	CML35 M36x2	35	M36x2	43	28	140	37.7	80	-	-	57.15	85	180	-	-	-	19	-	-	-	110	129	13-112	1.64

# ROTATIONAL UNITS