

# CFX

Data sheet - rev. 1.0

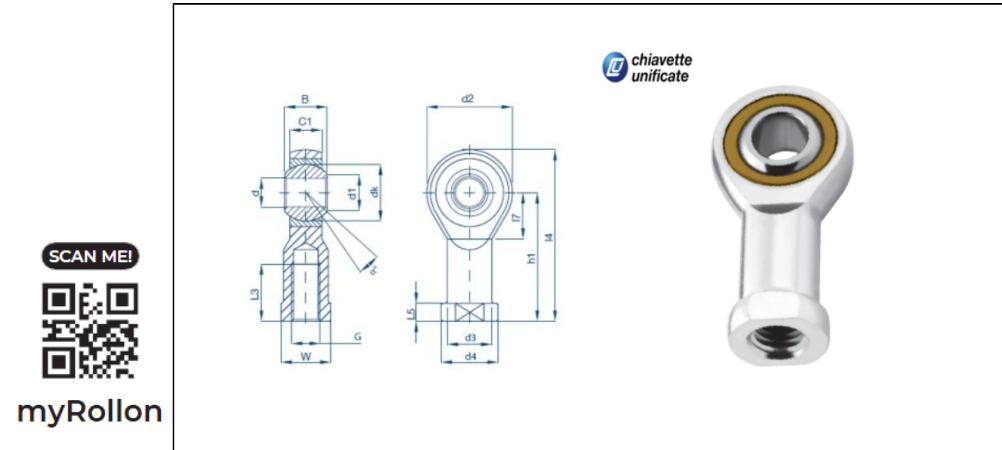
## Rod Ends - Tescubal Stainless Steel

Self-lubricating rod ends stainless steel, female thread, series K, DIN ISO 12240-4, maintenance free

### FEATURES AND ADVANTAGES

- **HOUSING:** stainless steel X5CrNi1810 (1.4301 – AISI 304)
- **OUTER RING:** sintered bronze impregnated with high efficiency lubricating fluid
- **INNER RING:** tempered, ground and polished steel for bearings X20Cr13 (1.4021 – AISI 420)
- **MAINTENANCE:** maintenance free
- **TEMPERATURE RANGE:** -30° C to +120° C
- **USE & MAINTENANCE :** [see this page](#)
- **STATIC LOAD SERVICE LIFE :** [see this page](#)
- **TOLERANCES :** [see this page](#)

### COMPONENTS AND DIMENSIONS



Type		Measurements [mm]															Tilt angle	Rotational speed limit	Axial factor	Basic load rating		Radial clearance	Weight	
Right hand thread	Left hand thread	d	G	B	C1	h/h1	d1	d2	d3	d4	dk	l1/l3	l2/l4	l5	l7	W	$\alpha$ (°)	$n_{max}$ (min <sup>-1</sup> )	Y	Y0	dyn C (kN)	stat C0 (kN)	CN ( $\mu$ m)	kg
CFX5 M5	CFXL5 M5	5	M5	8	6	27	7.7	18	9	11	11.11	10	36	4	10	9	13	-	-	-	4.3	7.7	5-50	0.02
CFX6 M6	CFXL6 M6	6	M6	9	6.75	30	8.9	20	10	13	12.7	12	40	5	11	11	13	-	-	-	5.6	6.9	5-50	0.03
CFX8 M8	CFXL8 M8	8	M8	12	9	36	10.4	24	12.5	16	15.87	16	48	5	13	14	14	-	-	-	9.4	11.5	7-61	0.05
CFX10 M10	CFXL10 M10	10	M10	14	10.5	43	12.9	28	15	19	19.05	20	57	6.5	15	17	13	-	-	-	13.3	16.1	7-61	0.08
CFX10 M10x1.25	CFXL10 M10x1.25	10	M10x1.25	14	10.5	43	12.9	28	15	19	19.05	20	57	6.5	15	17	13	-	-	-	13.3	16.1	7-61	0.08
CFX12 M12x1.25	CFXL12 M12x1.25	12	M12x1.25	16	12	50	15.4	32	17.5	22	22.22	22	66	6.5	17	19	13	-	-	-	17.9	18.4	8-75	0.11
CFX12 M12	CFXL12 M12	12	M12	16	12	50	15.4	32	17.5	22	22.22	22	66	6.5	17	19	13	-	-	-	17.9	18.4	8-75	0.11
CFX14 M14	CFXL14 M14	14	M14	19	13.5	57	16.8	36	20	25	25.4	25	75	8	19	22	15	-	-	-	23.1	25.1	8-75	0.16
CFX16 M16x1.5	CFXL16 M16x1.5	16	M16x1.5	21	15	64	19.3	42	22	27	28.57	28	85	8	23	22	15	-	-	-	29	34.8	8-75	0.22
CFX16 M16	CFXL16 M16	16	M16	21	15	64	19.3	42	22	27	28.57	28	85	8	23	22	15	-	-	-	29	34.8	8-75	0.22
CFX20 M20	CFXL20 M20	20	M20	25	18	77	24.3	50	27.5	34	34.92	33	102	10	27	30	14	-	-	-	42.8	41.8	10-92	0.41
CFX20 M20x1.5	CFXL20 M20x1.5	20	M20	25	18	77	24.3	50	27.5	34	34.92	33	102	10	27	30	14	-	-	-	42.8	41.8	10-92	0.41

# ROTATIONAL UNITS