

CF TOP

Data sheet - rev. 1.0

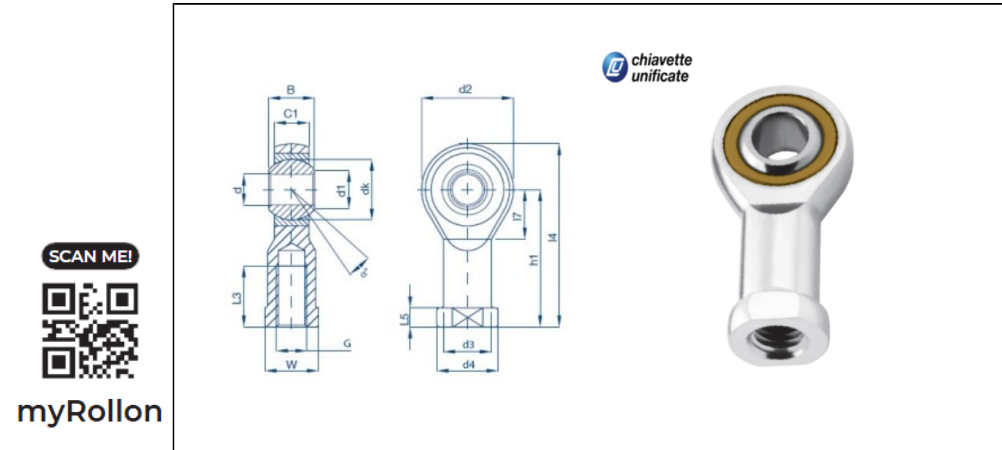
Rod Ends - Tescubal Top

Self-lubricating rod ends, female thread, series K, DIN ISO 12240-4, maintenance free

FEATURES AND ADVANTAGES

- **HOUSING:** up to size 12 automatic steel 11SMnPb30 (1.0718), from size 14 carbon steel C40 (1.1186), galvanized surface free of Cr VI
- **OUTER RING:** sintered bronze impregnated with high efficiency lubricating fluid
- **INNER RING:** tempered, ground and polished steel for bearings 100Cr6 (1.3505)
- **MAINTENANCE:** maintenance free
- **TEMPERATURE RANGE:** -30° C to +120° C
- **USE & MAINTENANCE :** [see this page](#)
- **STATIC LOAD SERVICE LIFE :** [see this page](#)
- **TOLERANCES :** [see this page](#)

COMPONENTS AND DIMENSIONS



Type		Measurements [mm]															Tilt angle	Rotational speed limit	Axial factor	Basic load rating		Radial clearance	Weight	
Right hand thread	Left hand thread	d	G	B	C1	h/h1	d1	d2	d3	d4	dk	l1/l3	l2/l4	l5	l7	W	α (°)	n_{max} (min ⁻¹)	Y	Y0	dyn C (kN)	stat C0 (kN)	CN (μ m)	kg
CF5 M4	CFL5 M4	5	M4	8	6	27	7.7	18	9	11	11.11	10	36	4	10	9	13	-	-	-	4.3	9.6	5-50	0.02
CF5 M5	CFL5 M5	5	M5	8	6	27	7.7	18	9	11	11.11	10	36	4	10	9	13	-	-	-	4.3	9.6	5-50	0.02
CF6 M6	CFL6 M6	6	M6	9	6.75	30	8.9	20	10	13	12.7	12	40	5	11	11	13	-	-	-	5.6	8.6	5-50	0.03
CF8 M8	CFL8 M8	8	M8	12	9	36	10.4	24	12.5	16	15.87	16	48	5	13	14	14	-	-	-	9.4	14.4	7-61	0.05
CF10 M10x1.25	CFL10 M10x1.25	10	M10x1.25	14	10.5	43	12.9	28	15	19	19.05	20	57	6.5	15	17	13	-	-	-	13.3	20.2	7-61	0.07
CF10 M10	CFL10 M10	10	M10	14	10.5	43	12.9	28	15	19	19.05	20	57	6.5	15	17	13	-	-	-	13.3	20.2	7-61	0.07
CF12 M12	CFL12 M12	12	M12	16	12	50	15.4	32	17.5	22	22.22	22	66	6.5	17	19	13	-	-	-	17.9	23	8-75	0.11
CF12 M12x1.25	CFL12 M12x1.25	12	M12x1.25	16	12	50	15.4	32	17.5	22	22.22	22	66	6.5	17	19	13	-	-	-	17.9	23	8-75	0.11
CF14 M14	CFL14 M14	14	M14	19	13.5	57	16.8	36	20	25	25.4	25	75	8	19	22	15	-	-	-	23.1	27.7	8-75	0.16
CF16 M16	CFL16 M16	16	M16	21	15	64	19.3	42	22	27	28.57	28	85	8	23	22	15	-	-	-	29	38.4	8-75	0.23
CF16 M16x1.5	CFL16 M16x1.5	16	M16x1.5	21	15	64	19.3	42	22	27	28.57	28	85	8	23	22	15	-	-	-	29	38.4	8-75	0.23
CF18 M18x1.5	CFL18 M18x1.5	18	M18x1.5	23	16.5	71	21.8	46	25	31	31.57	32	94	10	25	27	15	-	-	-	35.6	46.5	8-75	0.3
CF20 M20x1.5	CFL20 M20x1.5	20	M20x1.5	25	18	77	24.3	50	27.5	34	34.92	33	102	10	27	30	14	-	-	-	42.8	46.1	10-92	0.4
CF20 M20	CFL20 M20	20	M20	25	18	77	24.3	50	27.5	34	34.92	33	102	10	27	30	14	-	-	-	42.8	46.1	10-92	0.4
CF22 M22x1.5	CFL22 M22x1.5	22	M22x1.5	28	20	84	25.8	54	30	37	38.1	37	111	12	29	32	15	-	-	-	52	61.4	10-92	0.49
CF25 M24x2	CFL25 M24x2	25	M24x2	31	22	94	29.5	60	33.5	42	42.85	42	124	12	32	36	15	-	-	-	64.5	73.2	10-92	0.65
CF30 M30x2	CFL30 M30x2	30	M30x2	37	25	110	34.8	70	40	50	50.8	51	145	15	36	41	17	-	-	-	87.1	96	10-92	1.13
CF30 M27x2	CFL30 M27x2	30	M27x2	37	25	110	34.8	70	40	50	50.8	51	145	15	36	41	17	-	-	-	87.1	96	10-92	1.12
CF35 M36x2	CFL35 M36x2	35	M36x2	43	28	125	37.7	80	46	58	57.15	56	165	17	41	50	19	-	-	-	110	129	13-112	1.64

ROTATIONAL UNITS