

EFA

Data sheet - rev. 1.0

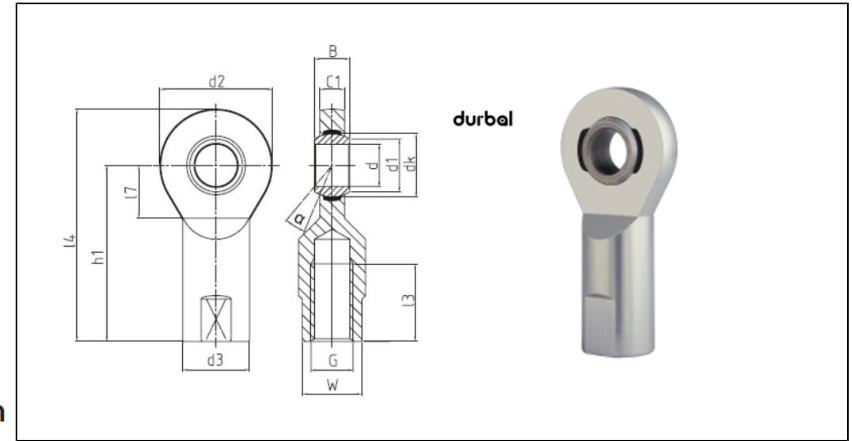
Rod Ends - Classic Line Aluminium

Rod ends in aluminium with DURBAL-Glide (PTFE), female thread, series E, DIN ISO 12240-4 & 8139, maintenance free

FEATURES AND ADVANTAGES

- **HOUSING:** EN AW-7075 high-strength aluminum, surface anodized silver, several colour variants available additionally on request
- **RACE DURBAL-GLIDE:** Polyamid-PTFE-fibreglass-Compound
- **JOINT BALL:** AISI AISI 440C stainless steel, hardened, ground, polished
- **MAINTENANCE:** maintenance-free
- **TEMPERATURE RANGE:** -30° C to +60° C
- **USE & MAINTENANCE :** [see this page](#)
- **STATIC LOAD SERVICE LIFE :** [see this page](#)
- **TOLERANCES :** [see this page](#)

COMPONENTS AND DIMENSIONS



Type		Measurements [mm]														Tilt angle	Rotational speed limit	Axial factor		Basic load rating		Radial clearance	Weight
Right hand thread	Left hand thread	d	G	B	C1	h/h1	d1	d2	d3	dk	l1/l3	l2/l4	l5	l7	W	α (°)	n_{max} (min ⁻¹)	Y	Y0	dyn C (kN)	stat C0 (kN)	CN (µm)	kg
EFA 06 - 60 - 501	EFA 06 - 60 - 502	6	M6	6	4	30	8	20	-	10	12	40	10	11	9	13	-	-	-	2.1	12.2	0-10	0.01
EFA 08 - 60 - 501	EFA 08 - 60 - 502	8	M8	8	5	36	10	23	-	13	16	47.5	11	12	11	15	-	-	-	3.6	15.1	0-10	0.01
EFA 10 - 60 - 501	EFA 10 - 60 - 502	10	M10	9	6	43	13	28	-	16	20	57	12	13	14	12	-	-	-	5.4	22.5	0-10	0.02
EFA 10 - 61 - 501	EFA 10 - 61 - 502	10	M10x1.25	9	6	43	13	28	-	16	20	57	12	13	14	12	-	-	-	5.4	22.5	0-10	0.02
EFA 12 - 61 - 501	EFA 12 - 61 - 502	12	M12x1.25	10	7	50	15	32	-	18	22	66	13	15	17	10.5	-	-	-	7.8	31.3	0-10	0.04
EFA 12 - 60 - 501	EFA 12 - 60 - 502	12	M12	10	7	50	15	32	-	18	22	66	13	15	17	10.5	-	-	-	7.8	31.3	0-10	0.04
EFA 15 - 60 - 501	EFA 15 - 60 - 502	15	M14	12	9	61	18	38	-	22	25	80	15	18	19	8.5	-	-	-	11.3	45.8	0-10	0.06
EFA 17 - 60 - 501	EFA 17 - 60 - 502	17	M16	14	10	67	20	44	-	25	28	89	16	20	22	10	-	-	-	16.3	63.6	0-10	0.09
EFA 17 - 61 - 501	EFA 17 - 61 - 502	17	M16x1.5	14	10	67	20	44	-	25	28	89	16	20	22	10	-	-	-	16.3	63.6	0-10	0.09
EFA 20 - 60 - 501	EFA 20 - 60 - 502	20	M20x1.5	16	12	77	24	51	-	29	33	102.5	18	23	24	9	-	-	-	21.4	84.3	0-10	0.12
EFA 25 - 60 - 501	EFA 25 - 60 - 502	25	M24x2	20	16	94	29	62	-	35.5	42	125	19	30	30	7.5	-	-	-	25.4	139	0-10	0.22