

BEM Zoil

Data sheet - rev. 1.0

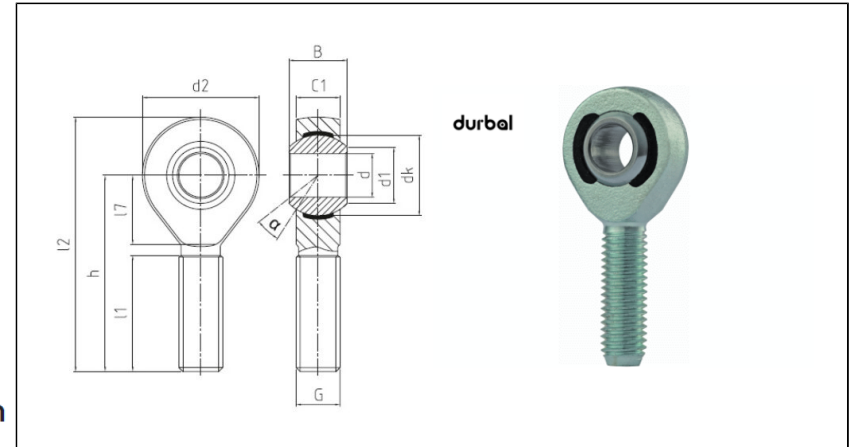
Rod Ends - Classic Line

Rod ends with DURBAL-Glide (PTFE), male thread, dimensions in inches, maintenance free

FEATURES AND ADVANTAGES

- **HOUSING:** 17Cr3 forged steel, tempered, surface galvanized, free of Cr VI
- **RACE DURBAL-GLIDE:** Polyamid-PTFE-fibreglass-Compound
- **JOINT BALL:** 100Cr6 ball bearing steel, hardened, ground, polished and hard chromium plated
- **MAINTENANCE:** maintenance-free
- **TEMPERATURE RANGE:** -30° C to +60° C
- **USE & MAINTENANCE :** [see this page](#)
- **STATIC LOAD SERVICE LIFE :** [see this page](#)
- **TOLERANCES :** [see this page](#)

COMPONENTS AND DIMENSIONS



Type		Measurements [Inch]														Tilt angle	Rotational speed limit	Axial factor	Basic load rating		Radial clearance	Weight		
Right hand thread	Left hand thread	d	G	B	C1	h/h1	d1	d2	d3	d4	dk	l1/l3	l2/l4	l5	l7	W	α (°)	n _{max} (min ⁻¹)	Y	Y0	dyn C (kN)	stat C0 (kN)	CN (µm)	kg
BEM 1/4 - 20 - 501	BEM 1/4 - 20 - 502	0.250	1/4 - 28 UNF	0.374	0.283	1.594	0.374	0.75	-	-	0.516	1	1.969	-	0.511	-	13	-	-	-	3.6	13.5	0-10	0.02
BEM 3/8 - 20 - 501	BEM 3/8 - 20 - 502	0.375	3/8 - 24 UNF	0.499	0.405	1.948	0.537	1	-	-	0.719	1.24	2.448	-	0.629	-	9.5	-	-	-	7.7	21	0-10	0.05
BEM 1/2 - 20 - 501	BEM 1/2 - 20 - 502	0.500	1/2 - 20 UNF	0.624	0.472	2.46	0.632	1.311	-	-	0.876	1.5	3.116	-	0.846	-	13	-	-	-	14.7	40.3	0-10	0.11
BEM 5/8 - 20 - 501	BEM 5/8 - 20 - 502	0.625	5/8 - 18 UNF	0.826	0.59	2.618	0.782	1.654	-	-	1.125	1.574	3.445	-	0.944	-	15.5	-	-	-	22.4	56	0-10	0.2
BEM 3/4 - 20 - 501	BEM 3/4 - 20 - 502	0.750	3/4 - 16 UNF	0.874	0.688	2.893	0.913	1.75	-	-	1.249	1.75	3.768	-	1.023	-	11	-	-	-	24.9	62.2	0-10	0.25
BEM 1/1 - 21 - 501	BEM 1/1 - 21 - 502	1	1/1 - 14 UNS	1.22	0.866	3.72	1.185	2.362	-	-	1.688	2.244	4.901	-	1.2	-	15.5	-	-	-	45.4	113.4	0-10	0.56
BEM 1/1 - 20 - 501	BEM 1/1 - 20 - 502	1	1/1 - 12 UNF	1.22	0.866	3.72	1.185	2.362	-	-	1.688	2.244	4.901	-	1.2	-	15.5	-	-	-	45.4	113.4	0-10	0.56