

# BEF Zoll

Data sheet - rev. 1.0

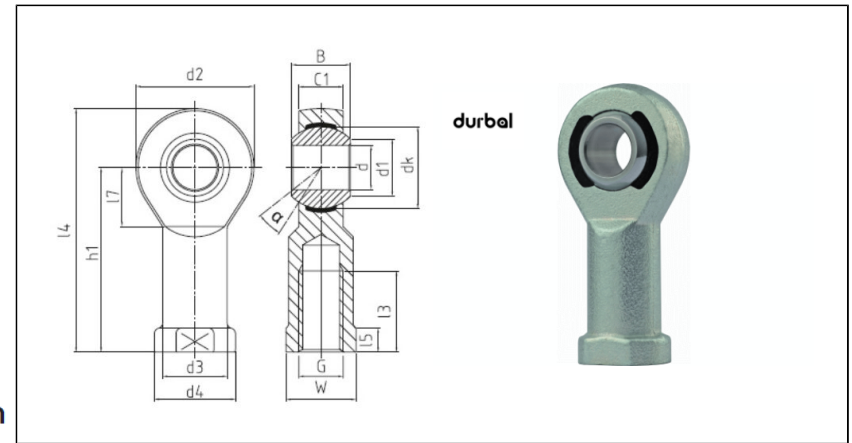
## Rod Ends - Classic Line

Rod ends with DURBAL-Glide (PTFE), female thread, dimensions in inches, maintenance free

### FEATURES AND ADVANTAGES

- **HOUSING:** 17Cr3 forged steel, tempered, surface galvanized, free of Cr VI
- **RACE DURBAL-GLIDE:** Polyamid-PTFE-fibreglass-Compound
- **JOINT BALL:** 100Cr6 ball bearing steel, hardened, ground, polished and hard chromium plated
- **MAINTENANCE:** maintenance free
- **TEMPERATURE RANGE:** -30° C to +60° C

### COMPONENTS AND DIMENSIONS



Type		Measurements [Inch]															Tilt angle	Rotational speed limit	Axial factor		Basic load rating		Radial clearance	Weight
Right hand thread	Left hand thread	d	G	B	C1	h/h1	d1	d2	d3	d4	dk	l1/l3	l2/l4	l5	l7	W	α (°)	n <sub>max</sub> (min <sup>-1</sup> )	Y	Y0	dyn C (kN)	stat C0 (kN)	CN (µm)	kg
<b>BEF 1/4 - 20 - 501</b>	<b>BEF 1/4 - 20 - 502</b>	0.250	1/4 - 28 UNF	0.374	0.283	1.338	0.374	0.75	0.374	0.469	0.516	0.716	1.713	0.185	0.385	0.381	13	-	-	-	4.3	12.5	0-10	0.03
<b>BEF 3/8 - 20 - 501</b>	<b>BEF 3/8 - 20 - 502</b>	0.375	3/8 - 24 UNF	0.499	0.405	1.641	0.537	1	0.567	0.689	0.719	0.847	2.141	0.275	0.503	0.57	9.5	-	-	-	7.7	22.3	0-10	0.06
<b>BEF 1/2 - 20 - 501</b>	<b>BEF 1/2 - 20 - 502</b>	0.500	1/2 - 20 UNF	0.624	0.472	2.145	0.632	1.311	0.748	0.874	0.876	1.161	2.801	0.279	0.649	0.757	13	-	-	-	14.7	42.9	0-10	0.13
<b>BEF 5/8 - 20 - 501</b>	<b>BEF 5/8 - 20 - 502</b>	0.625	5/8 - 18 UNF	0.826	0.59	2.539	0.782	1.654	0.866	1.063	1.125	1.102	3.366	0.35	0.885	0.866	15.5	-	-	-	22.4	59.6	0-10	0.23
<b>BEF 3/4 - 20 - 501</b>	<b>BEF 3/4 - 20 - 502</b>	0.750	3/4 - 16 UNF	0.874	0.688	2.905	0.913	1.75	1	1.126	1.249	1.718	3.78	0.311	0.854	1.007	11	-	-	-	24.9	66.2	0-10	0.23
<b>BEF 1/1 - 21 - 501</b>	<b>BEF 1/1 - 21 - 502</b>	1	1/1 - 14 UNS	1.22	0.866	3.72	1.185	2.362	1.319	1.654	1.688	1.653	4.901	0.511	1.2	1.417	15.5	-	-	-	45.4	118.6	0-10	0.66
<b>BEF 1/1 - 20 - 501</b>	<b>BEF 1/1 - 20 - 502</b>	1	1/1 - 12 UNF	1.22	0.866	3.72	1.185	2.362	1.319	1.654	1.688	1.653	4.901	0.511	1.2	1.417	15.5	-	-	-	45.4	118.6	0-10	0.66

# ROTATIONAL UNITS