

DPOS

Data sheet - rev. 1.0

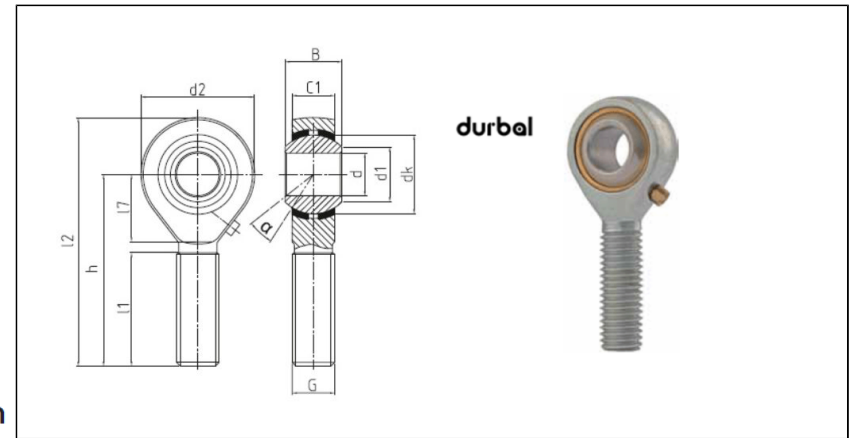
Rod Ends - Basic Line

Rod ends with pressed spherical-plain bearing, series K, male thread, according to DIN ISO 12240-4, maintenance required

FEATURES AND ADVANTAGES

- **HOUSING:** forged heat-treated steel, surface galvanized, free of Cr VI
- **OUTER RING:** bearing-brass, oil groove and drill holes
- **JOINT BALL:** ball bearing steel, hardened, ground, polished
- **MAINTENANCE:** maintenance required, oiled on delivery, initial lubrication by the user
- **GREASE NIPPLE:** DIN 3405 D1/A, further grease nipple
- **TEMPERATURE RANGE:** -40° C to +110° C
- **USE & MAINTENANCE :** [see this page](#)
- **STATIC LOAD SERVICE LIFE :** [see this page](#)
- **TOLERANCES :** [see this page](#)

COMPONENTS AND DIMENSIONS



SCAN ME!



myRollon

Type		Measurements [mm]															Tilt angle	Rotational speed limit	Axial factor		Basic load rating		Radial clearance	Weight
Right hand thread	Left hand thread	d	G	B	C1	h/h1	d1	d2	d3	d4	dk	l1/l3	l2/l4	l5	l7	W	α (°)	n_{max} (min ⁻¹)	Y	Y0	dyn C (kN)	stat C0 (kN)	CN (µm)	kg
DPOS 05	DPOSL 05	5	M5	8	6	33	7.7	16	-	-	11.1	20	41	-	8	-	13	-	-	-	1.7	4.6	8-55	0.01
DPOS 06	DPOSL 06	6	M6	9	6.75	36	8.9	18	-	-	12.7	22	45	-	9	-	13	-	-	-	2	5.8	8-55	0.02
DPOS 08	DPOSL 08	8	M8	12	9	42	10.3	22	-	-	15.88	25	53	-	11	-	14	-	-	-	4.3	9.3	8-55	0.03
DPOS 10	DPOSL 10	10	M10	14	10.5	48	12.9	26	-	-	19.05	29	61	-	13	-	13	-	-	-	5.1	11.6	8-55	0.06
DPOS 12 M12x1.25	DPOSL 12 M12x1.25	12	M12x1.25	16	12	54	15.4	30	-	-	22.23	33	69	-	15	-	13	-	-	-	6.5	13.6	8-55	0.09
DPOS 12	DPOSL 12	12	M12	16	12	54	15.4	30	-	-	22.23	33	69	-	15	-	13	-	-	-	6.5	13.6	8-55	0.09
DPOS 14	DPOSL 14	14	M14	19	13.5	60	16.8	34	-	-	25.4	36	77	-	17	-	16	-	-	-	8.7	19.2	8-55	0.14
DPOS 16	DPOSL 16	16	M16	21	15	66	19.3	40	-	-	28.58	40	86	-	20	-	15	-	-	-	10	22.8	8-55	0.21
DPOS 16 M16x1.5	DPOSL 16 M16x1.5	16	M16x1.5	21	15	66	19.3	40	-	-	28.58	40	86	-	20	-	15	-	-	-	10	22.8	8-55	0.21
DPOS 18	DPOSL 18	18	M18x1.5	23	16.5	72	21.8	44	-	-	31.75	44	94	-	22	-	15	-	-	-	14.2	34	8-55	0.28
DPOS 20	DPOSL 20	20	M20x1.5	25	18	78	24.3	50	-	-	34.93	47	103	-	25	-	14	-	-	-	17.2	42.5	8-55	0.38
DPOS 22	DPOSL 22	22	M22x1.5	28	20	84	25.8	54	-	-	38.1	51	111	-	27	-	15	-	-	-	19.4	45.6	8-55	0.48
DPOS 25	DPOSL 25	25	M24x2	31	22	94	29.5	60	-	-	42.86	57	124	-	30	-	15	-	-	-	24.6	54.4	8-55	0.64
DPOS 30	DPOSL 30	30	M30x2	37	25	110	34.8	70	-	-	50.8	66	145	-	35	-	17	-	-	-	32.1	70.4	8-55	1.1

ROTATIONAL UNITS