

# DGIR UK-2RS

Data sheet - rev. 1.0

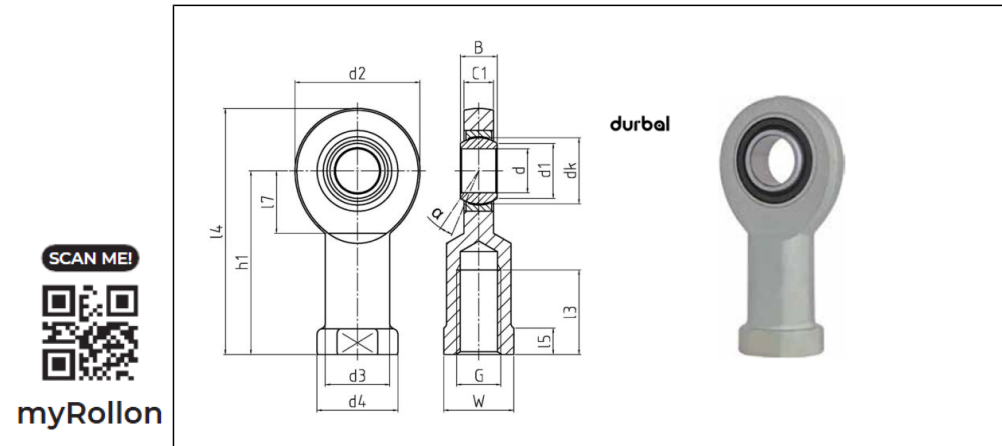
## Rod Ends - Basic Line

Rod ends with pressed spherical-plain bearing, steel/PTFE, series E, female thread, with -2RS lip seals on both sides, according to DIN ISO 12240-4, maintenance free

## FEATURES AND ADVANTAGES

- **HOUSING:** C45 forged heat-treated steel, surface galvanized, free of Cr VI
- **OUTER RING:** heat-treated steel, hardened, single split, bonded with PTFE – fabric, with -2RS lip seals on both sides
- **JOINT BALL:** 100 Cr6 ball bearing steel, hardened, ground, polished, up to size 12 hard chromium plated
- **MAINTENANCE:** maintenance free
- **TEMPERATURE RANGE:** -40° C to +120° C
- **USE & MAINTENANCE :** [see this page](#)
- **STATIC LOAD SERVICE LIFE :** [see this page](#)
- **TOLERANCES :** [see this page](#)

## COMPONENTS AND DIMENSIONS



Type		Measurements [mm]															Tilt angle	Rotational speed limit	Axial factor		Basic load rating		Radial clearance	Weight
Right hand thread	Left hand thread	d	G	B	C1	h/h1	d1	d2	d3	d4	dk	l1/l3	l2/l4	l5	l7	W	$\alpha$ (°)	$n_{max}$ (min <sup>-1</sup> )	Y	Y0	dyn C (kN)	stat C0 (kN)	CN (µm)	kg
<b>DGIR 17 UK-2RS</b>	<b>DGIL 17 UK-2RS</b>	17	M16	14	11	67	20	46	24	30	25	34	90	10	23	27	10	-	-	-	37.5	32.7	0-40	0.22
<b>DGIR 20 UK-2RS</b>	<b>DGIL 20 UK-2RS</b>	20	M20x1.5	16	13	77	24	53	27.5	35	29	40	103.5	10	27	32	9	-	-	-	52.2	44.7	0-40	0.35
<b>DGIR 25 UK-2RS</b>	<b>DGIL 25 UK-2RS</b>	25	M24x2	20	17	94	29	64	33.5	42	35.5	48	126	12	32	36	7	-	-	-	85.2	74.1	0-50	0.64
<b>DGIR 30 UK-2RS</b>	<b>DGIL 30 UK-2RS</b>	30	M30x2	22	19	110	34	73	40	50	40.7	56	146.5	15	37	41	6	-	-	-	109.9	96	0-50	0.93
<b>DGIR 35 UK-2RS</b>	<b>DGIL 35 UK-2RS</b>	35	M36x3	25	21	125	39	82	47	58	47	60	166	15	42	50	6	-	-	-	141	125.7	0-50	1.3
<b>DGIR 40 UK-2RS</b>	<b>DGIL 40 UK-2RS</b>	40	M39x3	28	23	142	45	92	52	65	53	65	188	18	48	55	7	-	-	-	174.9	153.7	0-60	2
<b>DGIR 45 UK-2RS</b>	<b>DGIL 45 UK-2RS</b>	45	M42x3	32	27	145	50	102	58	70	60	65	196	20	52	60	7	-	-	-	234	197.8	0-60	2.5
<b>DGIR 50 UK-2RS</b>	<b>DGIL 50 UK-2RS</b>	50	M45x3	35	30	160	55	112	62	75	66	68	216	20	60	65	6	-	-	-	287.1	240.7	0-60	3.5
<b>DGIR 60 UK-2RS</b>	<b>DGIL 60 UK-2RS</b>	60	M52x3	44	38	175	66	135	70	88	80	70	242.5	20	75	70	6	-	-	-	444	374.8	0-60	5.5
<b>DGIR 70 UK-2RS</b>	<b>DGIL 70 UK-2RS</b>	70	M56x4	49	42	200	77	160	80	98	92	80	280	20	87	85	6	-	-	-	565.8	531.2	0-72	8.6
<b>DGIR 80 UK-2RS</b>	<b>DGIL 80 UK-2RS</b>	80	M64x4	55	47	230	89	180	95	110	105	85	320	25	100	100	6	-	-	-	724.5	724.5	0-72	12