

# PF

Data sheet - rev. 1.0

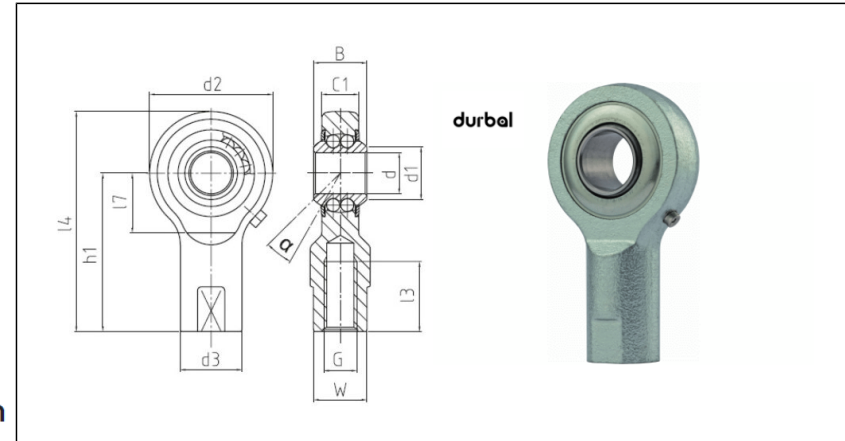
## Rod Ends - Premium Line

Rod ends with ball bearing, female thread, low maintenance, lubrication possible

### FEATURES AND ADVANTAGES

- **HOUSING:** 17Cr3 forged steel, case hardened bearing race, superfinished, surface galvanized, free of Cr VI
- **INNER RING:** 100Cr6 ball bearing steel, hardened, superfinished
- **ROLLING ELEMENT:** 100Cr6 ball bearing steel, hardened, superfinished
- **MAINTENANCE:** low maintenance, lubrication possible, aluminium-complex-soap-grease, approval according to USDA H1
- **GREASE NIPPLE:** DIN 3405 D1/A, further grease nipples
- **TEMPERATURE RANGE:** -45° C to +120° C
- **USE & MAINTENANCE :** [see this page](#)
- **STATIC LOAD SERVICE LIFE :** [see this page](#)
- **TOLERANCES :** [see this page](#)

### COMPONENTS AND DIMENSIONS



Type		Measurements [mm]															Tilt angle	Rotational speed limit	Axial factor		Basic load rating		Radial clearance	Weight
Right hand thread	Left hand thread	d	G	B	C1	h/h1	d1	d2	d3	d4	dk	l1/13	l2/14	l5	l7	W	$\alpha$ (°)	$n_{max}$ (min <sup>-1</sup> )	Y	Y0	dyn C (kN)	stat C0 (kN)	CN (µm)	kg
PF 10 - 00 - 501	PF 10 - 00 - 502	10	M8	13	9	38	13	30	15	-	-	17	53	-	15	13	7	1225	1.9	1.81	2.6	1	10-30	0.06
PF 15 - 00 - 501	PF 15 - 00 - 502	15	M12	16.5	12	51	17.5	40	19	-	-	24	71	-	20	17	7	1025	2.3	2.41	5	1.9	10-30	0.14
PF 20 - 00 - 501	PF 20 - 00 - 502	20	M16	20.5	15	65	24	48	22	-	-	32	89	-	22	19	6.5	850	2.34	2.45	6.1	3	10-30	0.22