

BRTF Niro VR

Data sheet - rev. 1.0

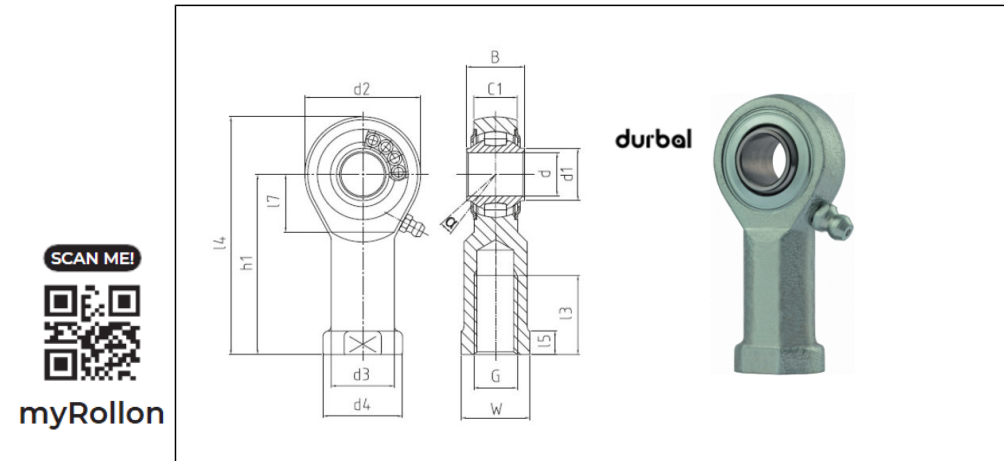
Rod Ends - Premium Line Stainless Steel

Rod ends in stainless steel with roller bearing, full complement design, female thread, series K, DIN ISO 12240-4 & 8139, low maintenance, lubrication possible

FEATURES AND ADVANTAGES

- **HOUSING:** AISI 420 stainless steel, forged, hardened, bearing race superfinished, Size 25, 30 can be made as turning part, surface electropolished
- **INNER RING:** AISI 440b stainless steel, hardened, superfinished
- **ROLLING ELEMENT:** AISI 440c stainless steel, hardened, super
- **MAINTENANCE:** low maintenance, lubrication possible, aluminium-complex-soap-grease, approval according to USDA H1
- **GREASE NIPPLE IN STAINLESS STEEL:** DIN 3405 D1/A (until size 10) / DIN 71 412 H1 (from size 12), further grease nipples
- **TEMPERATURE RANGE:** -45° C to +120° C
- **USE & MAINTENANCE :** [see this page](#)
- **STATIC LOAD SERVICE LIFE :** [see this page](#)
- **TOLERANCES :** [see this page](#)

COMPONENTS AND DIMENSIONS



Type		Measurements [mm]															Tilt angle	Rotational speed limit	Axial factor		Basic load rating		Radial clearance	Weight
Right hand thread	Left hand thread	d	G	B	C1	h/h1	d1	d2	d3	d4	dk	l1/13	l2/14	l5	l7	W	α (°)	n_{max} (min ⁻¹)	Y	Y0	dyn C (kN)	stat C0 (kN)	CN (µm)	kg
BRTF 10 - 91 - 501	BRTF 10 - 91 - 502	10	M10x1.25	14	10.5	43	12.7	28	15	19	-	20	57	6.5	15	17	8	820	9.5	5	8	4.6	10-30	0.08
BRTF 10 - 90 - 501	BRTF 10 - 90 - 502	10	M10	14	10.5	43	12.7	28	15	19	-	20	57	6.5	15	17	8	820	9.5	5	8	4.6	10-30	0.08
BRTF 12 - 90 - 501	BRTF 12 - 90 - 502	12	M12	16	12	50	14.6	32	17.5	22	-	22	66	6.5	16	19	7.5	750	9.5	5	10.4	6.9	10-30	0.11
BRTF 12 - 91 - 501	BRTF 12 - 91 - 502	12	M12x1.25	16	12	50	14.6	32	17.5	22	-	22	66	6.5	16	19	7.5	750	9.5	5	10.4	6.9	10-30	0.11
BRTF 16 - 90 - 501	BRTF 16 - 90 - 502	16	M16	21	15	64	19	42	22	27	-	28	85	8	22	22	7	650	9.5	5	12.1	8.3	10-30	0.22
BRTF 16 - 91 - 501	BRTF 16 - 91 - 502	16	M16x1.5	21	15	64	19	42	22	27	-	28	85	8	22	22	7	650	9.5	5	12.1	8.3	10-30	0.22
BRTF 18 - 90 - 501	BRTF 18 - 90 - 502	18	M18x1.5	23	16.5	71	21.9	46	25	31	-	32	94	10	24	27	8.5	600	9.5	5	13	9	10-30	0.3
BRTF 20 - 90 - 501	BRTF 20 - 90 - 502	20	M20x1.5	25	18	77	24.3	50	27.5	34	-	33	102	10	26	30	7	550	9.5	5	14.4	10.1	10-30	0.36
BRTF 22 - 90 - 501	BRTF 22 - 90 - 502	22	M22x1.5	28	20	84	25.8	54	30	38	-	37	111	12	26	32	8	480	9.5	5	16.4	12.1	10-30	0.46
BRTF 25 - 90 - 501	BRTF 25 - 90 - 502	25	M24x2	31	22	94	30.1	64	30	35	-	42	126	10	32	30	5	400	9.5	5	18.7	14.4	10-30	0.57
BRTF 30 - 90 - 501	BRTF 30 - 90 - 502	30	M30x2	37	25	110	34.5	70	40	50	-	51	145	15	35	41	7.5	300	9.5	5	29.5	24.6	10-30	1.05