

# BRM Zoll

Data sheet - rev. 1.0

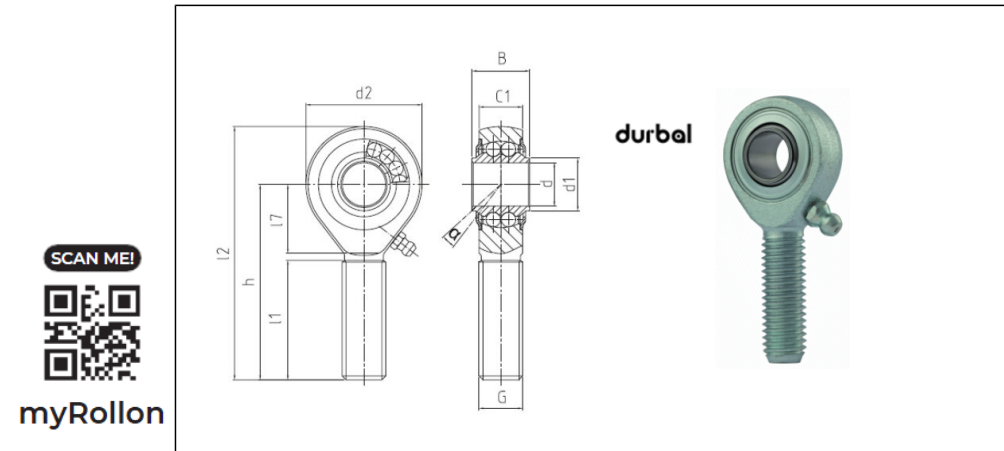
## Rod Ends - Premium Line

Rod ends with ball bearing, male thread, dimensions in inches, low maintenance, lubrication possible

### FEATURES AND ADVANTAGES

- **HOUSING:** 17Cr3 forged steel, case hardened bearing race, superfinished, surface galvanized, free of Cr VI
- **INNER RING:** 100Cr6 ball bearing steel, hardened, superfinished
- **ROLLING ELEMENT:** 100Cr6 ball bearing steel, hardened, superfinished
- **MAINTENANCE:** low maintenance, lubrication possible, aluminium-complex-soap-grease, approval according to USDA H1
- **GREASE NIPPLE:** DIN 3405 D1/A (until size 3/8) / DIN 71 412 H1 (from size 1/2)
- **TEMPERATURE RANGE:** -45° C to +120° C
- **USE & MAINTENANCE :** [see this page](#)
- **STATIC LOAD SERVICE LIFE :** [see this page](#)
- **TOLERANCES :** [see this page](#)

### COMPONENTS AND DIMENSIONS



| Type                      |                           | Measurements [Inch] |              |       |       |       |       |       |    |    |    |       |       |    |       |   | Tilt angle | Rotational speed limit                | Axial factor |      | Basic load rating |              | Radial clearance | Weight |
|---------------------------|---------------------------|---------------------|--------------|-------|-------|-------|-------|-------|----|----|----|-------|-------|----|-------|---|------------|---------------------------------------|--------------|------|-------------------|--------------|------------------|--------|
| Right hand thread         | Left hand thread          | d                   | G            | B     | C1    | h/h1  | d1    | d2    | d3 | d4 | dk | l1/l3 | l2/l4 | l5 | l7    | W | α (°)      | n <sub>max</sub> (min <sup>-1</sup> ) | Y            | Y0   | dyn C (kN)        | stat C0 (kN) | CN (µm)          | kg     |
| <b>BRM 1/4 - 00 - 501</b> | <b>BRM 1/4 - 00 - 502</b> | 0.250               | 1/4 - 28 UNF | 0.354 | 0.265 | 1.437 | 0.356 | 0.787 | -  | -  | -  | 0.866 | 1.831 | -  | 0.551 | - | 8          | 1350                                  | 2.09         | 2.19 | 2.7               | 0.7          | 10-30            | 0.02   |
| <b>BRM 3/8 - 00 - 501</b> | <b>BRM 3/8 - 00 - 502</b> | 0.375               | 3/8 - 24 UNF | 0.551 | 0.413 | 1.909 | 0.468 | 1.102 | -  | -  | -  | 1.141 | 2.46  | -  | 0.748 | - | 8          | 1225                                  | 1.87         | 1.83 | 4.4               | 1.4          | 10-30            | 0.06   |
| <b>BRM 1/2 - 00 - 501</b> | <b>BRM 1/2 - 00 - 502</b> | 0.500               | 1/2 - 20 UNF | 0.624 | 0.472 | 2.46  | 0.574 | 1.311 | -  | -  | -  | 1.496 | 3.116 | -  | 0.846 | - | 7.5        | 1125                                  | 1.74         | 1.82 | 4.9               | 1.9          | 10-30            | 0.11   |
| <b>BRM 5/8 - 00 - 501</b> | <b>BRM 5/8 - 00 - 502</b> | 0.625               | 5/8 - 18 UNF | 0.826 | 0.59  | 2.618 | 0.744 | 1.653 | -  | -  | -  | 1.574 | 3.444 | -  | 0.944 | - | 8          | 975                                   | 2.24         | 2.35 | 6.3               | 2.4          | 10-30            | 0.2    |
| <b>BRM 3/4 - 00 - 501</b> | <b>BRM 3/4 - 00 - 502</b> | 0.750               | 3/4 - 16 UNF | 0.984 | 0.708 | 3.09  | 0.956 | 1.968 | -  | -  | -  | 1.85  | 4.074 | -  | 1.102 | - | 7          | 825                                   | 2.32         | 2.43 | 7.8               | 3.4          | 10-30            | 0.34   |
| <b>BRM 1/1 - 01 - 501</b> | <b>BRM 1/1 - 01 - 502</b> | 1                   | 1/1 - 14 UNS | 1.22  | 0.866 | 3.72  | 1.161 | 2.519 | -  | -  | -  | 2.244 | 4.98  | -  | 1.279 | - | 5          | 600                                   | 2.02         | 2.12 | 11                | 5.7          | 10-30            | 0.59   |
| <b>BRM 1/1 - 00 - 501</b> | <b>BRM 1/1 - 00 - 502</b> | 1                   | 1/1 - 12 UNF | 1.22  | 0.866 | 3.72  | 1.161 | 2.519 | -  | -  | -  | 2.244 | 4.98  | -  | 1.279 | - | 5          | 600                                   | 2.02         | 2.12 | 11                | 5.7          | 10-30            | 0.59   |

# ROTATIONAL UNITS