

DGEZ ES-2RS

Data sheet - rev. 1.0

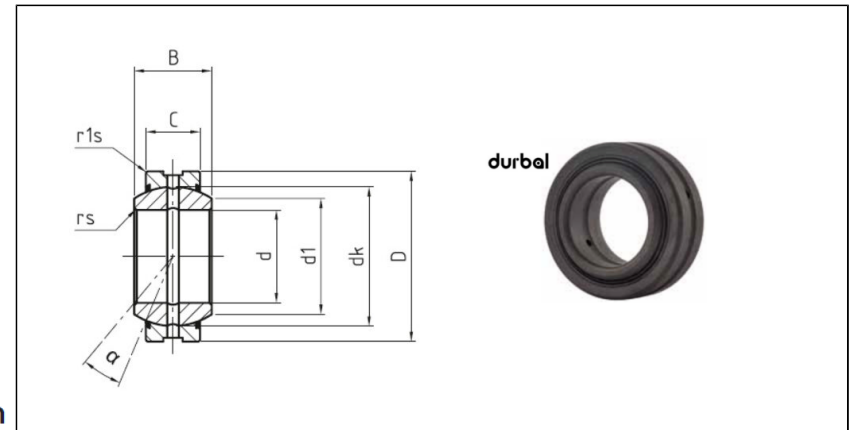
Spherical Plain Bearings - Basic Line

Spherical-plain bearing sliding combination steel / steel, with -2RS lip seals on both sides, series G, according to DIN ISO 12240-1

FEATURES AND ADVANTAGES

- Outer ring: ball bearing steel, hardened, ground, phosphated, single split, with oil groove and drill holes, with -2RS lip seals on both sides,
- Joint ball: ball bearing steel, hardened, ground, phosphated
- Maintenance: maintenance required, oiled on delivery, initial lubrication by the user
- USE & MAINTENANCE : [see this page](#)
- STATIC LOAD SERVICE LIFE : [see this page](#)
- TOLERANCES : [see this page](#)

COMPONENTS AND DIMENSIONS



Type	Measurements [mm]								Tilt angle α (°)	Rotational speed limit n_{max} (min ⁻¹)	Axial factor		Basic load rating		Radial clearance CN (µm)	Weight kg
	d	D	d1	B	C	dk	rs	rs1			Y	Y0	dyn C (kN)	stat C0 (kN)		
DGEZ 25 ES-2RS	25.40	41.28	29	22.23	19.05	36.5	0.3	0.6	6	-	-	56	166	80-180	0.12	
DGEZ 31 ES-2RS	31.75	50.8	36	27.76	23.8	45.5	0.6	0.6	6	-	-	86	260	80-180	0.23	
DGEZ 34 ES-2RS	34.93	55.56	38.6	30.15	16.19	49	0.6	1	6	-	-	102	310	80-180	0.35	
DGEZ 38 ES-2RS	38.10	61.91	43.4	33.33	28.58	54.7	0.6	1	6	-	-	125	375	80-180	0.42	
DGEZ 44 ES-2RS	44.45	71.42	50.7	38.89	33.33	63.9	0.6	1	6	-	-	170	510	80-180	0.64	
DGEZ 50 ES-2RS	50.80	80.96	57.9	44.45	38.1	73	0.6	1	6	-	-	224	670	80-180	0.93	
DGEZ 57 ES-2RS	57.15	90.49	65	50.01	42.85	82	0.6	1	6	-	-	280	850	100-200	1.33	
DGEZ 63 ES-2RS	63.50	100.01	73.3	55.55	47.63	92	0.6	1	6	-	-	355	1060	100-200	1.85	
DGEZ 69 ES-2RS	69.85	111.13	79.2	61.11	52.38	100	1	1	6	-	-	415	1250	100-200	2.42	
DGEZ 76 ES-2RS	76.20	120.65	86.9	66.68	57.15	109.5	1	1	6	-	-	500	1500	100-200	3.1	
DGEZ 82 ES-2RS	82.55	130.18	94.6	72.24	61.9	119	1	1	6	-	-	585	1760	130-230	3.82	
DGEZ 88 ES-2RS	88.90	139.7	101.7	77.78	66.68	128	1	1	6	-	-	680	2040	130-230	4.79	
DGEZ 95 ES-2RS	95.25	149.23	108.7	83.34	71.43	137	1	1	6	-	-	780	2360	130-230	5.8	
DGEZ 101 ES-2RS	101.60	158.75	115.8	88.9	76.2	146	1	1	6	-	-	900	2650	130-230	7	
DGEZ 107 ES-2RS	107.95	168.28	122.8	94.46	80.95	154.9	1	1	6	-	-	1000	2900	130-230	8.41	
DGEZ 114 ES-2RS	114.30	177.8	130.6	100.01	85.73	164.5	1	1	6	-	-	1120	3400	130-230	9.8	
DGEZ 120 ES-2RS	120.65	187.33	137.7	105.56	90.48	173.5	1	1	6	-	-	1250	3750	130-230	11.5	
DGEZ 127 ES-2RS	127	196.85	145.4	111.13	95.25	183	1	1	6	-	-	1400	4150	130-230	13.5	
DGEZ 152 ES-2RS	152.40	222.25	168.2	120.65	107.78	207	1	1	5	-	-	1730	5200	130-230	17.5	

ROTATIONAL UNITS