

DGEG ES-2RS

Data sheet - rev. 1.0

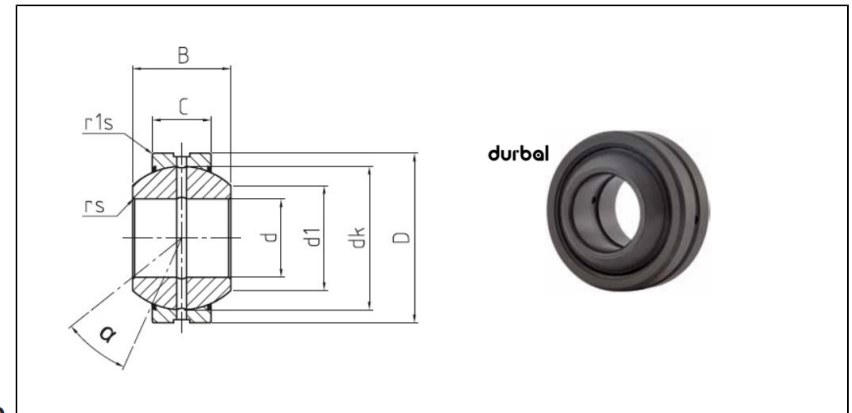
Spherical Plain Bearings - Basic Line

Spherical-plain bearing with steel/steel, with -2RS lip seals on both sides, series G, DIN ISO 12240-1, maintenance required

FEATURES AND ADVANTAGES

- Outer ring: ball bearing steel, hardened, ground, phosphated, single split, with oil groove and drill holes, with -2RS lip seals on both sides
- Joint ball: ball bearing steel, hardened, ground, phosphated
- Maintenance: maintenance required, oiled on delivery, initial lubrication by the user
- Temperature range: -40° C to +120° C
- USE & MAINTENANCE : [see this page](#)
- STATIC LOAD SERVICE LIFE : [see this page](#)
- TOLERANCES : [see this page](#)

COMPONENTS AND DIMENSIONS



Type	Measurements [mm]								Tilt angle	Rotational speed limit	Axial factor		Basic load rating		Radial clearance	Weight
	d	D	d1	B	C	dk	rs	rs1	α (°)	n_{max} (min ⁻¹)	Y	Y0	dyn C (kN)	stat C0 (kN)	CN (µm)	kg
DGEG 15 ES-2RS	15	30	19.2	16	10	25	0.3	0.3	16	-	-	-	21.2	106	40-80	0.05
DGEG 17 ES-2RS	17	35	21	20	12	29	0.3	0.3	19	-	-	-	30	146	40-80	0.08
DGEG 20 ES-2RS	20	42	25.2	25	16	35.5	0.6	0.6	17	-	-	-	48	240	50-100	0.15
DGEG 25 ES-2RS	25	47	29.5	28	18	40.7	0.6	0.6	17	-	-	-	62	310	50-100	0.19
DGEG 30 ES-2RS	30	55	34.4	32	20	47	0.6	1	17	-	-	-	80	400	50-100	0.29
DGEG 35 ES-2RS	35	62	39.8	35	23	53	0.6	1	16	-	-	-	1	500	60-120	0.38
DGEG 40 ES-2RS	40	68	44.7	40	25	60	0.6	1	17	-	-	-	127	640	60-120	0.54
DGEG 45 ES-2RS	45	75	50.1	43	28	66	0.6	1	15	-	-	-	156	780	60-120	0.68
DGEG 50 ES-2RS	50	90	57.1	56	36	80	0.6	1	17	-	-	-	200	1220	60-120	1.14
DGEG 60 ES-2RS	60	105	67	63	40	92	1	1	17	-	-	-	315	1560	72-142	2
DGEG 70 ES-2RS	70	120	78.3	70	45	105	1	1	16	-	-	-	400	2000	72-142	2.9
DGEG 80 ES-2RS	80	130	87.2	75	50	115	1	1	14	-	-	-	490	2450	72-142	3.5
DGEG 90 ES-2RS	90	150	98.4	85	55	130	1	1	15	-	-	-	610	3050	85-165	5.4
DGEG 100 ES-2RS	100	160	111.2	85	55	140	1	1	14	-	-	-	655	3250	85-165	5.9
DGEG 110 ES-2RS	110	180	124.9	100	70	160	1	1	12	-	-	-	950	4750	85-165	9.6
DGEG 120 ES-2RS	120	210	138.5	115	70	180	1	1	16	-	-	-	1080	5400	85-165	15.1
DGEG 140 ES-2RS	140	230	152	130	80	200	1	1	16	-	-	-	1360	6800	100-192	19.01
DGEG 160 ES-2RS	160	260	180	135	80	225	1	1	16	-	-	-	1530	7650	100-192	24.7
DGEG 180 ES-2RS	180	290	196.2	155	100	250	1.1	1.1	14	-	-	-	2120	10600	100-192	35.4
DGEG 200 ES-2RS	200	320	220	165	100	270	1.1	1.1	15	-	-	-	2320	11600	100-192	45.28
DGEG 220 ES-2RS	220	340	243.7	175	100	300	1.1	1.1	16	-	-	-	2550	12700	100-192	21.12
DGEG 240 ES-2RS	240	370	263.7	190	110	325	1.1	1.1	15	-	-	-	3030	15190	110-214	25.12
DGEG 260 ES-2RS	260	400	283.7	205	120	350	1.1	1.1	15	-	-	-	3570	17850	110-214	82.44
DGEG 280 ES-2RS	280	430	310.7	210	120	375	1.1	1.1	15	-	-	-	3800	19100	110-214	97.21

ROTATIONAL UNITS