

# SB TOP

Data sheet - rev. 1.0

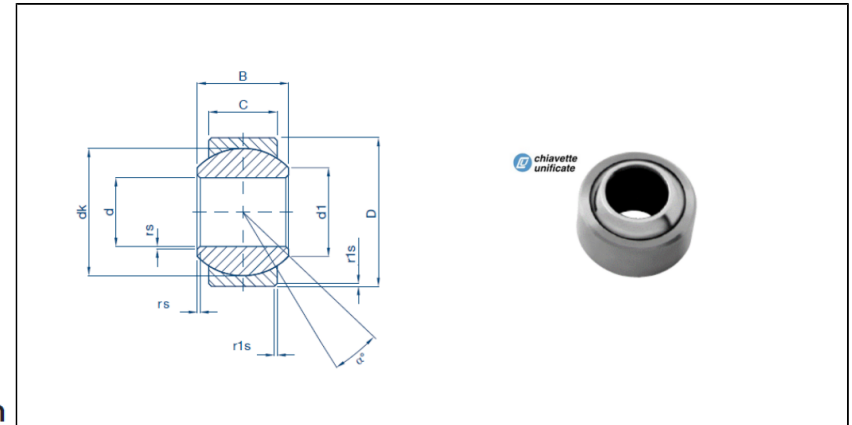
## Spherical Plain Bearings - Tescubal

Self-lubricating spherical-plain bearings, series K, DIN ISO 12240-1, maintenance free.

### FEATURES AND ADVANTAGES

- Outer ring: sintered steel impregnated with high efficiency lubricating fluid
- Inner ring: tempered, ground and polished steel for bearings 100Cr6 (1.3505)
- Maintenance: maintenance free
- Temperature range: -30° C to +120° C
- USE & MAINTENANCE : [see this page](#)
- STATIC LOAD SERVICE LIFE : [see this page](#)
- TOLERANCES : [see this page](#)

### COMPONENTS AND DIMENSIONS



Type	Measurements [mm]								Tilt angle $\alpha$ (°)	Rotational speed limit $n_{max}$ (min <sup>-1</sup> )	Axial factor		Basic load rating		Radial clearance CN (µm)	Weight kg
	d	D	d1	B	C	dk	rs	r1s			Y	Y0	dyn C (kN)	stat C0 (kN)		
SB6	6	16	8.9	9	6.75	12.8	0.3	0.3	13	-	-	7.1	16.5	30-70	0.01	
SB8	8	19	10.4	12	9	15.87	0.3	0.3	14	-	-	12.1	28.1	30-70	0.02	
SB10	10	22	12.9	14	10.5	19.05	0.3	0.3	13	-	-	17.1	39.7	30-70	0.03	
SB12	12	26	15.4	16	12	22.22	0.3	0.3	13	-	-	23	53.2	30-70	0.04	
SB16	16	32	19.3	21	15	28.57	0.3	0.3	15	-	-	37.3	86.3	30-70	0.1	
SB20	20	40	24.3	25	18	34.92	0.3	0.6	14	-	-	55	127.3	30-70	0.15	
SB30	30	55	34.8	37	25	50.8	0.3	0.6	17	-	-	112	259.2	30-70	0.38	
SB35	35	62	37.7	43	28	57.15	0.6	1	19	-	-	141.4	327.3	30-70	0.49	