

GLE Niro

Data sheet - rev. 1.0

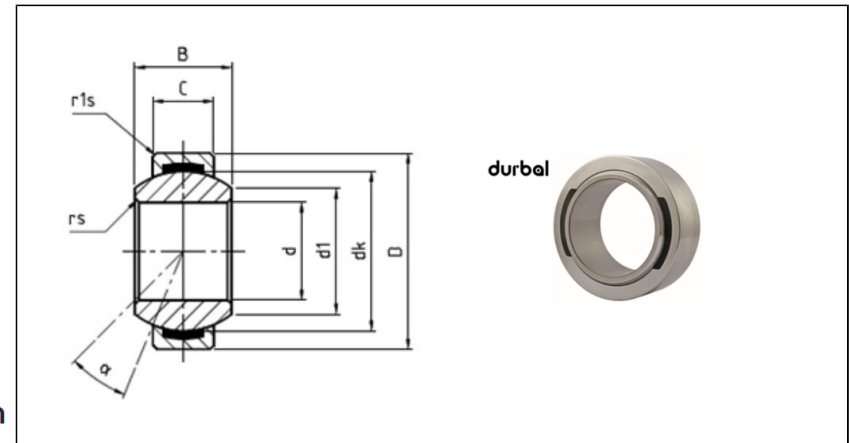
Spherical Plain Bearings - Classic Line Stainless Steel

Heavy-duty spherical-plain bearing in stainless steel, sliding combination steel / DURBAL-Glide (PTFE), series E, according to DIN ISO 12240-1

FEATURES AND ADVANTAGES

- Outer ring: AISI 303 stainless steel with injected DURBAL-Glide (Polyamid-PTFE-fibreglass-Compound)
- Joint ball: AISI 440c stainless steel, hardened, ground, polished
- Maintenance: maintenance free
- Temperature range: -30° C to +60° C
- USE & MAINTENANCE : [see this page](#)
- STATIC LOAD SERVICE LIFE : [see this page](#)
- TOLERANCES : [see this page](#)

COMPONENTS AND DIMENSIONS



SCAN ME!



myRollon

Type	Measurements [mm]								Tilt angle	Rotational speed limit	Axial factor		Basic load rating		Radial clearance	Weight
	d	D	d1	B	C	dk	rs	rs1	α (°)	n_{max} (min ⁻¹)	Y	Y0	dyn C (kN)	stat C0 (kN)	CN (µm)	kg
GLE 06 - 60 - 500	6	14	8	6	4	10	0.3	0.3	13	-	-	-	2.5	3	0-10	0
GLE 08 - 60 - 500	8	16	10	8	5	13	0.3	0.3	15	-	-	-	4.2	5	0-10	0.01
GLE 10 - 60 - 500	10	19	13	9	6	16	0.3	0.3	12	-	-	-	6.4	7.6	0-10	0.01
GLE 12 - 60 - 500	12	22	15	10	7	18	0.3	0.3	10.5	-	-	-	9.2	10.4	0-10	0.02
GLE 15 - 60 - 500	15	26	18	12	9	22	0.3	0.3	8.5	-	-	-	13.4	17.8	0-10	0.24
GLE 17 - 60 - 500	17	30	20	14	10	25	0.3	0.3	10	-	-	-	19.2	24.3	0-10	0.04
GLE 20 - 60 - 500	20	35	24	16	12	29	0.3	0.3	9	-	-	-	25.2	34.5	0-10	0.06
GLE 25 - 60 - 500	25	42	29	20	16	35.5	0.6	0.6	7.5	-	-	-	42.4	53.6	0-10	0.11
GLE 30 - 60 - 500	30	47	34	22	18	40.7	0.6	0.6	6	-	-	-	54	63.8	0-10	0.15
GLE 35 - 60 - 500	35	55	39	25	20	47	0.6	1	6.5	-	-	-	70.4	81.4	0-10	0.23
GLE 40 - 60 - 500	40	62	45	28	22	53	0.6	1	7	-	-	-	86	100.2	0-10	0.3
GLE 45 - 60 - 500	45	69	50	32	25	60	0.6	1	7.5	-	-	-	107	124.3	0-10	0.43
GLE 50 - 60 - 500	50	75	55	35	28	66	0.6	1	6.5	-	-	-	132	152.6	0-10	0.52
GLE 60 - 60 - 500	60	90	66	44	36	80	0.3	1	6.5	-	-	-	208	239.5	0-10	0.82

ROTATIONAL UNITS