

GLKS Niro

Data sheet - rev. 1.0

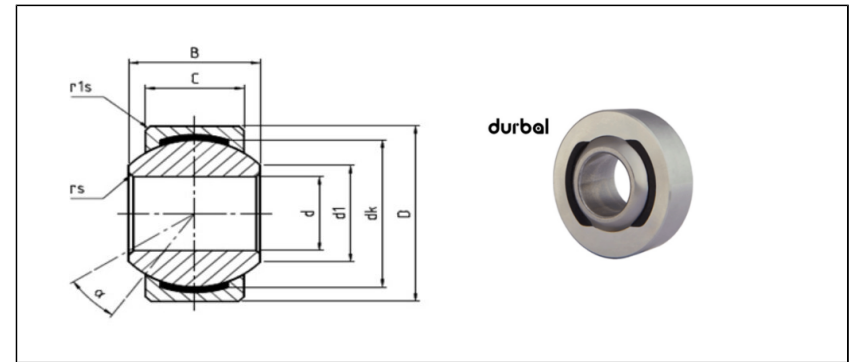
Spherical Plain Bearings - Classic Line Stainless Steel

Heavy-duty spherical-plain bearing in stainless steel, sliding combination steel / DURBAL-Glide (PTFE), series K, similar to DIN ISO 12240-1

FEATURES AND ADVANTAGES

- Outer ring: AISI 303 stainless steel with injected DURBAL-Glide (Polyamid-PTFE-fibreglass-Compound)
- Joint ball: AISI 440c stainless steel, hardened, ground, polished
- Maintenance: maintenance free
- Temperature range: -30° C to +60° C
- USE & MAINTENANCE : [see this page](#)
- STATIC LOAD SERVICE LIFE : [see this page](#)
- TOLERANCES : [see this page](#)

COMPONENTS AND DIMENSIONS



SCAN ME!



myRollon

Type	Measurements [mm]								Tilt angle α (°)	Rotational speed limit n_{max} (min ⁻¹)	Axial factor		Basic load rating		Radial clearance CN (µm)	Weight kg
	d	D	d1	B	C	dk	rs	r1s			Y	Y0	dyn C (kN)	stat C0 (kN)		
GLKS 06 - 60 - 500	6	18	8.9	9	6.75	12.7	0.4	0.3	13	-	-	-	4.6	5.4	0-10	0.12
GLKS 08 - 60 - 500	8	22	10.3	12	9	15.87	0.4	0.5	14.5	-	-	-	7	9.7	0-10	0.02
GLKS 10 - 60 - 500	10	26	12.9	14	10.5	19.05	0.4	0.5	13.5	-	-	-	10.4	15.4	0-10	0.04
GLKS 12 - 60 - 500	12	30	15.4	16	12	22.22	0.4	0.5	13	-	-	-	12.4	22.3	0-10	0.08
GLKS 14 - 60 - 500	14	34	16.8	19	13.5	25.4	0.4	0.5	16	-	-	-	15.4	30.4	0-10	0.11
GLKS 16 - 60 - 500	16	38	19.3	21	15	28.57	0.4	0.5	15.5	-	-	-	22.4	41.5	0-10	0.13
GLKS 18 - 60 - 500	18	42	21.8	23	16.5	31.75	0.4	0.5	15	-	-	-	26.3	51.2	0-10	0.17
GLKS 20 - 60 - 500	20	46	24.3	25	18	34.92	0.4	0.5	14.5	-	-	-	30.8	60.3	0-10	0.32
GLKS 22 - 60 - 500	22	50	25.8	28	20	38.1	0.4	0.6	15.5	-	-	-	38.2	70	0-10	0.28
GLKS 25 - 60 - 500	25	56	29.5	31	22	42.85	0.4	0.6	15	-	-	-	45.4	87	0-10	0.39
GLKS 30 - 60 - 500	30	66	34.8	37	25	50.8	0.4	0.6	17	-	-	-	55	106.8	0-10	0.61

ROTATIONAL UNITS