

GLK

Data sheet - rev. 1.0

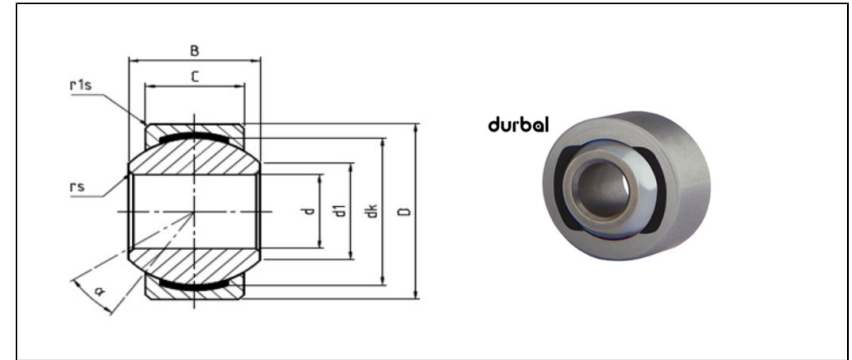
Spherical Plain Bearings - Classic Line

Heavy-duty spherical-plain bearing, sliding combination steel / DURBAL-Glide (PTFE), series K, according to DIN ISO 12240-1

FEATURES AND ADVANTAGES

- Outer ring: C45 steel with injected DURBAL-Glide (Polyamid-PTFE-fibreglass-Compound)
- Joint ball: 100Cr6 ball bearing steel, hardened, ground, polished and hard chromium plated
- Maintenance: maintenance free
- Temperature range: -30° C to +60° C
- USE & MAINTENANCE : [see this page](#)
- STATIC LOAD SERVICE LIFE : [see this page](#)
- TOLERANCES : [see this page](#)

COMPONENTS AND DIMENSIONS



SCAN ME!



myRollon

Type	Measurements [mm]								Tilt angle α (°)	Rotational speed limit n_{max} (min ⁻¹)	Axial factor		Basic load rating		Radial clearance CN (µm)	Weight kg
	d	D	d1	B	C	dk	rs	r1s			Y	Y0	dyn C (kN)	stat C0 (kN)		
GLK 06 - 20 - 500	6	16	8.9	9	6.75	12.7	0.4	0.3	13	-	-	-	4.6	11.7	0-10	0.01
GLK 08 - 20 - 500	8	19	10.3	12	9	15.87	0.4	0.5	14.5	-	-	-	7	21.5	0-10	0.02
GLK 10 - 20 - 500	10	22	12.9	14	10.5	19.05	0.4	0.5	13.5	-	-	-	10.4	24.9	0-10	0.03
GLK 12 - 20 - 500	12	26	15.4	16	12	22.22	0.4	0.5	13	-	-	-	12.4	36.1	0-10	0.04
GLK 14 - 20 - 500	14	29	16.8	19	13.5	25.4	0.4	0.5	16	-	-	-	15.4	45.4	0-10	0.06
GLK 16 - 20 - 500	16	32	19.3	21	15	28.57	0.4	0.5	15.5	-	-	-	22.4	56.6	0-10	0.08
GLK 18 - 20 - 500	18	35	21.8	23	16.5	31.75	0.4	0.5	15	-	-	-	26.3	69.7	0-10	0.13
GLK 20 - 20 - 500	20	40	24.3	25	18	34.3.92	0.4	0.5	14.5	-	-	-	30.8	82.2	0-10	0.14
GLK 22 - 20 - 500	22	42	25.8	28	20	38.1	0.4	0.6	15.5	-	-	-	38.2	95.6	0-10	0.21
GLK 25 - 20 - 500	25	47	29.5	31	22	42.85	0.4	0.6	15	-	-	-	45.4	118.6	0-10	0.3
GLK 30 - 20 - 500	30	55	34.8	37	25	50.8	0.4	0.6	17	-	-	-	55	145.6	0-10	0.43

ROTATIONAL UNITS