

CMPX

Data sheet - rev. 1.0

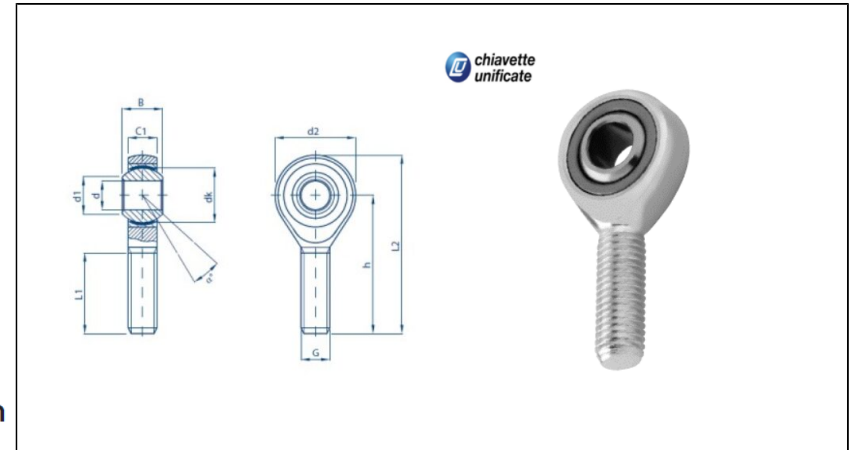
Rod Ends - Tesno Stainless Steel

Self-lubricating rod ends stainless steel with PTFE, male thread, series K, DIN ISO 12240-4, maintenance free

FEATURES AND ADVANTAGES

- **HOUSING:** stainless steel X5CrNi1810 (1.4301 – AISI 304)
- **OUTER RING:** stainless steel X5CrNi1810 (1.4301 – AISI 304) with PTFE bonded on the inner surface
- **INNER RING:** AISI 440c stainless steel
- **MAINTENANCE:** maintenance free
- **TEMPERATURE RANGE:** -40° C to +200° C
- **USE & MAINTENANCE :** [see this page](#)
- **STATIC LOAD SERVICE LIFE :** [see this page](#)
- **TOLERANCES :** [see this page](#)

COMPONENTS AND DIMENSIONS



Type		Measurements [mm]															Tilt angle	Rotational speed limit	Axial factor		Basic load rating		Radial clearance	Weight
Right hand thread	Left hand thread	d	G	B	C1	h/h1	d1	d2	d3	d4	dk	l1/13	l2/14	l5	l7	W	α (°)	n_{max} (min ⁻¹)	Y	Y0	dyn C (kN)	stat C0 (kN)	CN (μ m)	kg
CMPX5 M5	CMPXL5 M5	5	M5	8	6	33	7.7	18	-	-	11.11	19	42	-	-	-	13	-	-	-	8.3	3.2	0-32	0.02
CMPX6 M6	CMPXL6 M6	6	M6	9	6.75	36	8.9	20	-	-	12.7	21	46	-	-	-	13	-	-	-	11	4.6	0-32	0.02
CMPX8 M8	CMPXL8 M8	8	M8	12	9	42	10.4	24	-	-	15.87	25	54	-	-	-	14	-	-	-	19	8.4	0-32	0.04
CMPX10 M10	CMPXL10 M10	10	M10	14	10.5	48	12.9	28	-	-	19.05	28	62	-	-	-	13	-	-	-	27.1	13.4	0-32	0.06
CMPX12 M12	CMPXL12 M12	12	M12	16	12	54	15.4	32	-	-	22.22	32	70	-	-	-	13	-	-	-	36.7	18.4	0-40	0.1
CMPX14 M14	CMPXL14 M14	14	M14	19	13.5	60	16.8	36	-	-	25.4	36	78	-	-	-	15	-	-	-	47.6	24.3	0-40	0.13
CMPX16 M16x1.5	CMPXL16 M16x1.5	16	M16x1.5	21	15	66	19.3	42	-	-	28.57	37	87	-	-	-	15	-	-	-	60	33.4	0-40	0.21
CMPX16 M16	CMPXL16 M16	16	M16	21	15	66	19.3	42	-	-	28.57	37	87	-	-	-	15	-	-	-	60	33.4	0-40	0.21
CMPX18 M18x1.5	CMPXL18 M18x1.5	18	M18x1.5	23	16.5	72	21.8	46	-	-	31.75	41	95	-	-	-	15	-	-	-	73.8	40.6	0-40	0.26
CMPX20 M20	CMPXL20 M20	20	M20	25	19	78	24.3	50	-	-	34.52	45	103	-	-	-	14	-	-	-	89	41.8	0-50	0.37
CMPX20 M20x1.5	CMPXL20 M20x1.5	20	M20x1.5	25	19	78	24.3	50	-	-	34.52	45	103	-	-	-	14	-	-	-	89	41.8	0-50	0.37