

CM OK

Data sheet - rev. 1.0

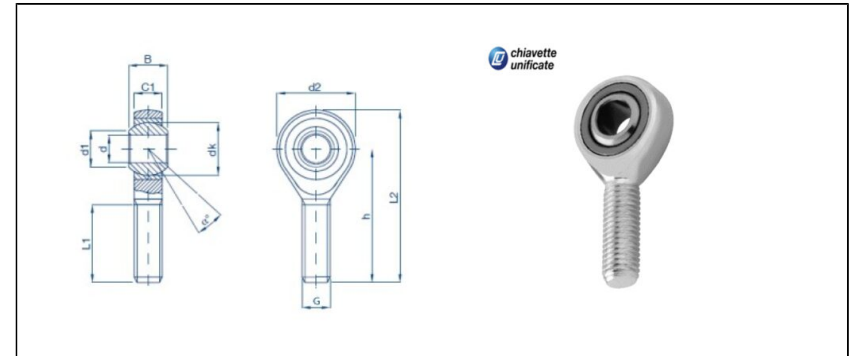
Rod Ends - Tescubal OK

Self-lubricating rod ends, male thread, series K, DIN ISO 12240-4, maintenance free

FEATURES AND ADVANTAGES

- **HOUSING:** up to size 12 automatic steel 11SMnPb30 (1.0718), from size 14 carbon steel C40 (1.1186), galvanized surface free of Cr VI
- **OUTER RING:** sintered steel impregnated with high efficiency lubricating fluid
- **INNER RING:** tempered, ground and polished steel for bearings 100Cr6 (1.3505)
- **MAINTENANCE:** maintenance free
- **TEMPERATURE RANGE:** -30° C to +120° C
- **USE & MAINTENANCE :** [see this page](#)
- **STATIC LOAD SERVICE LIFE :** [see this page](#)
- **TOLERANCES :** [see this page](#)

COMPONENTS AND DIMENSIONS



SCAN ME!



myRollon

| Type | | Measurements [mm] | | | | | | | | | | | | | | | Tilt angle | Rotational speed limit | Axial factor | | Basic load rating | | Radial clearance | Weight |
|-------------------|------------------|-------------------|-----|----|------|------|------|----|----|----|-------|-------|-------|----|----|---|--------------|--------------------------------|--------------|----|-------------------|--------------|------------------|--------|
| Right hand thread | Left hand thread | d | G | B | C1 | h/h1 | d1 | d2 | d3 | d4 | dk | I1/13 | I2/14 | I5 | I7 | W | α (°) | n_{max} (min ⁻¹) | Y | Y0 | dyn C (kN) | stat C0 (kN) | CN (μ m) | kg |
| CM6 OK M6 | CML6 OK M6 | 6 | M6 | 9 | 6.75 | 36 | 8.9 | 20 | - | - | 12.7 | 21 | 46 | - | - | - | 13 | - | - | - | 7.1 | 5.7 | 5-50 | 0.02 |
| CM8 OK M8 | CML8 OK M8 | 8 | M8 | 12 | 9 | 42 | 10.4 | 24 | - | - | 15.87 | 25 | 54 | - | - | - | 14 | - | - | - | 12.1 | 10.5 | 7-61 | 0.04 |
| CM10 OK M10 | CML10 OK M10 | 10 | M10 | 14 | 10.5 | 48 | 12.9 | 28 | - | - | 19.05 | 28 | 62 | - | - | - | 13 | - | - | - | 17.1 | 16.7 | 7-61 | 0.06 |
| CM12 OK M12 | CML12 OK M12 | 12 | M12 | 16 | 12 | 54 | 15.4 | 32 | - | - | 22.22 | 32 | 70 | - | - | - | 13 | - | - | - | 23 | 23 | 8-75 | 0.1 |
| CM16 OK M16 | CML16 OK M16 | 16 | M16 | 21 | 15 | 66 | 19.3 | 42 | - | - | 28.57 | 37 | 87 | - | - | - | 15 | - | - | - | 37.3 | 36.9 | 8-75 | 0.2 |

ROTATIONAL UNITS