

BEMN Niro

Data sheet - rev. 1.0

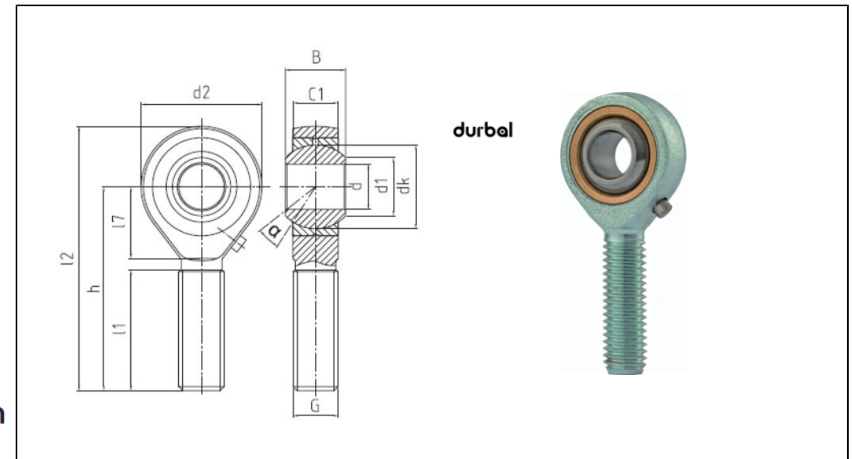
Rod Ends - Classic Line Stainless Steel

Rod ends in stainless steel with pressed spherical-plain bearing, male thread, series K, DIN ISO 12240-4, maintenance required

FEATURES AND ADVANTAGES

- **HOUSING:** AISI 304 stainless steel, forged, rolled thread, surface electropolished
- **OUTER RING:** bearing brass, oil groove and drill holes
- **JOINT BALL:** Stainless steel, hardened, ground, polished
- **MAINTENANCE:** maintenance required, oiled on delivery, initial lubrication by the user
- **TEMPERATURE RANGE:** -40° C to +110° C
- **USE & MAINTENANCE :** [see this page](#)
- **STATIC LOAD SERVICE LIFE :** [see this page](#)
- **TOLERANCES :** [see this page](#)

COMPONENTS AND DIMENSIONS



Type		Measurements [mm]															Tilt angle	Rotational speed limit	Axial factor		Basic load rating		Radial clearance	Weight
Right hand thread	Left hand thread	d	G	B	C1	h/h1	d1	d2	d3	d4	dk	l1/l3	l2/l4	l5	l7	W	α (°)	n _{max} (min ⁻¹)	Y	Y0	dyn C (kN)	stat C0 (kN)	CN (µm)	kg
BEMN 05 - 80 - 501	BEMN 05 - 80 - 502	5	M5	8	6	33	7.7	18	-	-	11.06	20	42	-	9	-	13	-	-	-	2	4	20-60	0.01
BEMN 06 - 80 - 501	BEMN 06 - 80 - 502	6	M6	9	6.75	36	8.9	20	-	-	12.65	22	46	-	12	-	13	-	-	-	2.5	5	20-60	0.02
BEMN 08 - 80 - 501	BEMN 08 - 80 - 502	8	M8	12	9	42	10.3	24	-	-	15.82	25	54	-	15	-	13	-	-	-	3.6	7.9	20-60	0.03
BEMN 10 - 80 - 501	BEMN 10 - 80 - 502	10	M10	14	10.5	48	12.9	28	-	-	19	29	62	-	15	-	13	-	-	-	4.7	9.7	40-90	0.06
BEMN 12 - 80 - 501	BEMN 12 - 80 - 502	12	M12	16	12	54	15.4	32	-	-	22.17	33	70	-	19	-	13	-	-	-	6.5	11.7	40-90	0.09
BEMN 14 - 80 - 501	BEMN 14 - 80 - 502	14	M14	19	13.5	60	16.8	36	-	-	25.35	36	78	-	20	-	15	-	-	-	8.5	16.7	40-90	0.14
BEMN 16 - 80 - 501	BEMN 16 - 80 - 502	16	M16	21	15	66	19.3	42	-	-	28.52	40	87	-	22	-	15	-	-	-	10.7	19	50-110	0.21
BEMN 18 - 80 - 501	BEMN 18 - 80 - 502	18	M18x1.5	23	16.5	72	21.8	46	-	-	31.7	44	95	-	25	-	15	-	-	-	15.8	29.3	50-110	0.28
BEMN 20 - 80 - 501	BEMN 20 - 80 - 502	20	M20x1.5	25	18	78	24.3	50	-	-	34.87	47	103	-	28	-	15	-	-	-	18.5	33.4	50-110	0.38
BEMN 22 - 80 - 501	BEMN 22 - 80 - 502	22	M22x1.5	28	20	84	25.8	54	-	-	38.05	51	111	-	26	-	15	-	-	-	20.2	38	60-120	0.48
BEMN 25 - 80 - 501	BEMN 25 - 80 - 502	25	M24x2	31	22	94	29.5	60	-	-	42.8	57	124	-	30	-	15	-	-	-	26.5	46.7	60-120	0.64
BEMN 30 - 80 - 501	BEMN 30 - 80 - 502	30	M30x2	37	25	110	34.8	70	-	-	50.75	66	145	-	35	-	15	-	-	-	32	60	60-120	1.1

ROTATIONAL UNITS