

BEM

Data sheet - rev. 1.0

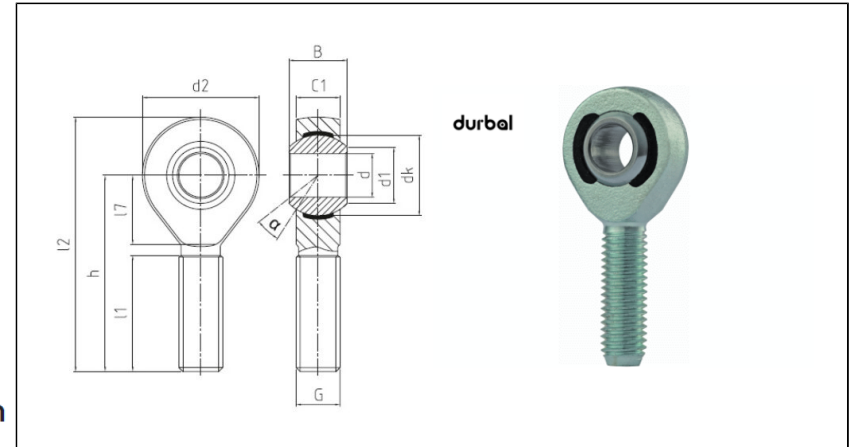
Rod Ends - Classic Line

Rod ends with DURBAL-Glide (PTFE), male thread, series K, DIN ISO 12240-4, maintenance free

FEATURES AND ADVANTAGES

- **HOUSING:** 17Cr3 forged steel, tempered, surface galvanized, free of Cr VI
- **RACE DURBAL-GLIDE:** Polyamid-PTFE-fibreglass-Compound
- **JOINT BALL:** 100Cr6 ball bearing steel, hardened, ground, polished and hard chromium plated
- **MAINTENANCE:** maintenance-free
- **TEMPERATURE RANGE:** -30° C to +60° C
- **USE & MAINTENANCE :** [see this page](#)
- **STATIC LOAD SERVICE LIFE :** [see this page](#)
- **TOLERANCES :** [see this page](#)

COMPONENTS AND DIMENSIONS



Type		Measurements [mm]															Tilt angle	Rotational speed limit	Axial factor		Basic load rating		Radial clearance	Weight
Right hand thread	Left hand thread	d	G	B	C1	h/h1	d1	d2	d3	d4	dk	l1/l3	l2/l4	l5	l7	W	α (°)	n_{max} (min ⁻¹)	Y	Y0	dyn C (kN)	stat C0 (kN)	CN (µm)	kg
BEM 05 - 20 - 501	BEM 05 - 20 - 502	5	M5	8	6	33	7.7	18	-	-	11.06	20	42	-	9	-	13	-	-	-	3.9	5.6	0-10	0.01
BEM 06 - 20 - 501	BEM 06 - 20 - 502	6	M6	9	6.75	36	8.9	20	-	-	12.65	22	46	-	12	-	13	-	-	-	4.6	7.9	0-10	0.02
BEM 08 - 20 - 501	BEM 08 - 20 - 502	8	M8	12	9	42	10.3	24	-	-	15.82	25	54	-	15	-	14.5	-	-	-	7	14.5	0-10	0.04
BEM 10 - 20 - 501	BEM 10 - 20 - 502	10	M10	14	10.5	48	12.9	28	-	-	19	29	62	-	15	-	13.5	-	-	-	10.4	23	0-10	0.06
BEM 12 - 20 - 501	BEM 12 - 20 - 502	12	M12	16	12	54	15.4	32	-	-	22.17	33	70	-	19	-	13	-	-	-	12.4	33.6	0-10	0.09
BEM 14 - 20 - 501	BEM 14 - 20 - 502	14	M14	19	13.5	60	16.8	36	-	-	25.35	36	78	-	20	-	16	-	-	-	15.4	37.7	0-10	0.13
BEM 16 - 20 - 501	BEM 16 - 20 - 502	16	M16	21	15	66	19.3	42	-	-	28.52	40	87	-	22	-	15.5	-	-	-	22.4	51.9	0-10	0.2
BEM 18 - 20 - 501	BEM 18 - 20 - 502	18	M18x1.5	23	16.5	72	21.8	46	-	-	31.7	44	95	-	25	-	15	-	-	-	26.3	63.1	0-10	0.25
BEM 20 - 20 - 501	BEM 20 - 20 - 502	20	M20x1.5	25	18	78	24.3	50	-	-	34.87	47	103	-	28	-	14.5	-	-	-	30.8	81.1	0-10	0.33
BEM 22 - 20 - 501	BEM 22 - 20 - 502	22	M22x1.5	28	20	84	25.8	54	-	-	38.05	51	111	-	27	-	15.5	-	-	-	38.2	98.9	0-10	0.44
BEM 25 - 20 - 501	BEM 25 - 20 - 502	25	M24x2	31	22	94	29.5	60	-	-	42.8	57	124	-	30	-	15	-	-	-	45.4	120.6	0-10	0.63
BEM 30 - 20 - 501	BEM 30 - 20 - 502	30	M30x2	37	25	110	34.8	70	-	-	50.75	66	145	-	35	-	17	-	-	-	55	149	0-10	1.02