

BEFN

Data sheet - rev. 1.0

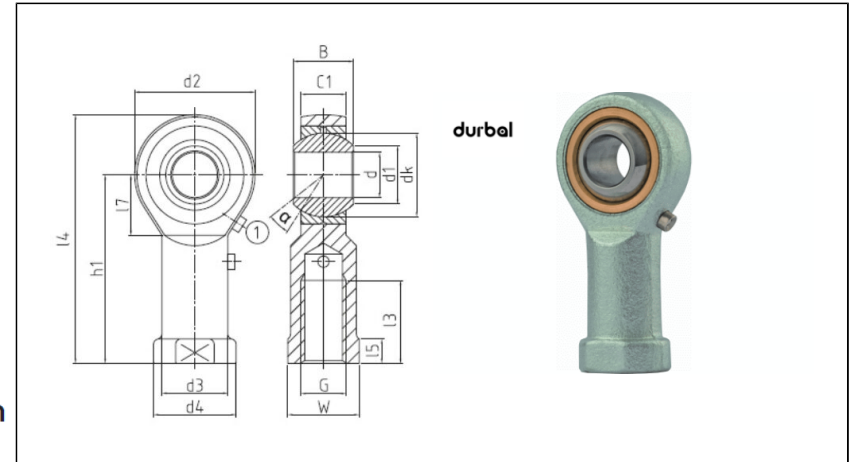
Rod Ends - Classic Line

Rod ends with pressed spherical-plain bearing, female thread, series K, DIN ISO 12240-4 & 8139, maintenance required

FEATURES AND ADVANTAGES

- **HOUSING:** 17Cr3 forged steel, tempered, surface galvanized, free of Cr VI
- **OUTER RING:** bearing brass, oil groove and drill holes
- **JOINT BALL:** 100Cr6 ball bearing steel, hardened, ground, polished and hard chromium plated
- **MAINTENANCE:** maintenance required, oiled on delivery, initial lubrication by the user
- **GREASE NIPPLE:** DIN 3405 D1/A, from size 6 grease nipple on pos. 1
- **TEMPERATURE RANGE:** -40° C to +110° C
- **USE & MAINTENANCE :** [see this page](#)
- **STATIC LOAD SERVICE LIFE :** [see this page](#)
- **TOLERANCES :** [see this page](#)

COMPONENTS AND DIMENSIONS



| Type | | Measurements [mm] | | | | | | | | | | | | | | | Tilt angle | Rotational speed limit | Axial factor | | Basic load rating | | Radial clearance | Weight |
|--------------------|--------------------|-------------------|----------|----|------|------|------|----|------|----|-------|-------|-------|-----|----|----|--------------|--------------------------------|--------------|----|-------------------|--------------|------------------|--------|
| Right hand thread | Left hand thread | d | G | B | C1 | h/h1 | d1 | d2 | d3 | d4 | dk | l1/13 | l2/14 | l5 | l7 | W | α (°) | n_{max} (min ⁻¹) | Y | Y0 | dyn C (kN) | stat C0 (kN) | CN (µm) | kg |
| BEFN 05 - 21 - 501 | BEFN 05 - 21 - 502 | 5 | M4 | 8 | 6 | 27 | 7.7 | 18 | 9 | 11 | 11.06 | 10 | 36 | 4 | 10 | 9 | 13 | - | - | - | 2.4 | 4.3 | 20-60 | 0.02 |
| BEFN 05 - 20 - 501 | BEFN 05 - 20 - 502 | 5 | M5 | 8 | 6 | 27 | 7.7 | 18 | 9 | 11 | 11.06 | 10 | 36 | 4 | 10 | 9 | 13 | - | - | - | 2.4 | 4.3 | 20-60 | 0.02 |
| BEFN 06 - 20 - 501 | BEFN 06 - 20 - 502 | 6 | M6 | 9 | 6.75 | 30 | 8.9 | 20 | 10 | 13 | 12.65 | 12 | 40 | 5 | 10 | 11 | 13 | - | - | - | 3 | 6.1 | 20-60 | 0.22 |
| BEFN 08 - 20 - 501 | BEFN 08 - 20 - 502 | 8 | M8 | 12 | 9 | 36 | 10.3 | 24 | 12.5 | 16 | 15.82 | 16 | 48 | 5 | 12 | 14 | 13 | - | - | - | 4.8 | 11.2 | 20-60 | 0.05 |
| BEFN 10 - 21 - 501 | BEFN 10 - 21 - 502 | 10 | M10x1.25 | 14 | 10.5 | 43 | 12.9 | 28 | 15 | 19 | 19 | 20 | 57 | 6.5 | 15 | 17 | 13 | - | - | - | 5.8 | 17.8 | 40-90 | 0.08 |
| BEFN 10 - 20 - 501 | BEFN 10 - 20 - 502 | 10 | M10 | 14 | 10.5 | 43 | 12.9 | 28 | 15 | 19 | 19 | 20 | 57 | 6.5 | 15 | 17 | 13 | - | - | - | 5.8 | 17.8 | 40-90 | 0.08 |
| BEFN 12 - 20 - 501 | BEFN 12 - 20 - 502 | 12 | M12 | 16 | 12 | 50 | 15.4 | 32 | 17.5 | 22 | 22.17 | 22 | 66 | 6.5 | 16 | 19 | 13 | - | - | - | 7 | 23 | 40-90 | 0.1 |
| BEFN 12 - 21 - 501 | BEFN 12 - 21 - 502 | 12 | M12x1.25 | 16 | 12 | 50 | 15.4 | 32 | 17.5 | 22 | 22.17 | 22 | 66 | 6.5 | 16 | 19 | 13 | - | - | - | 7 | 23 | 40-90 | 0.1 |
| BEFN 14 - 20 - 501 | BEFN 14 - 20 - 502 | 14 | M14 | 19 | 13.5 | 57 | 16.8 | 36 | 20 | 25 | 25.35 | 25 | 75 | 8 | 20 | 22 | 15 | - | - | - | 10 | 27.6 | 40-90 | 0.16 |
| BEFN 16 - 21 - 501 | BEFN 16 - 21 - 502 | 16 | M16x1.5 | 21 | 15 | 64 | 19.3 | 42 | 22 | 27 | 28.52 | 28 | 85 | 8 | 22 | 22 | 15 | - | - | - | 11.4 | 38.4 | 50-110 | 0.22 |
| BEFN 16 - 20 - 501 | BEFN 16 - 20 - 502 | 16 | M16 | 21 | 15 | 64 | 19.3 | 42 | 22 | 27 | 28.52 | 28 | 85 | 8 | 22 | 22 | 15 | - | - | - | 11.4 | 38.4 | 50-110 | 0.22 |
| BEFN 18 - 20 - 501 | BEFN 18 - 20 - 502 | 18 | M18x1.5 | 23 | 16.5 | 71 | 21.8 | 46 | 25 | 31 | 31.7 | 32 | 94 | 10 | 24 | 27 | 15 | - | - | - | 17.6 | 46.5 | 50-110 | 0.32 |
| BEFN 20 - 20 - 501 | BEFN 20 - 20 - 502 | 20 | M20x1.5 | 25 | 18 | 77 | 24.3 | 50 | 27.5 | 34 | 34.87 | 33 | 102 | 10 | 26 | 30 | 15 | - | - | - | 20 | 46.1 | 50-110 | 0.42 |
| BEFN 22 - 20 - 501 | BEFN 22 - 20 - 502 | 22 | M22x1.5 | 28 | 20 | 84 | 25.8 | 54 | 30 | 38 | 38.05 | 37 | 111 | 12 | 26 | 32 | 105 | - | - | - | 22.8 | 61.4 | 60-120 | 0.54 |
| BEFN 25 - 20 - 501 | BEFN 25 - 20 - 502 | 25 | M24x2 | 31 | 22 | 94 | 29.5 | 60 | 33.5 | 42 | 42.8 | 42 | 124 | 12 | 30 | 36 | 15 | - | - | - | 28 | 73.2 | 60-120 | 0.73 |
| BEFN 30 - 20 - 501 | BEFN 30 - 20 - 502 | 30 | M30x2 | 37 | 25 | 110 | 34.8 | 70 | 40 | 50 | 50.75 | 51 | 145 | 15 | 35 | 41 | 15 | - | - | - | 36 | 96 | 60-120 | 1.1 |
| BEFN 30 - 21 - 501 | BEFN 30 - 21 - 502 | 30 | M27x2 | 37 | 25 | 110 | 34.8 | 70 | 40 | 50 | 50.75 | 51 | 145 | 15 | 35 | 41 | 15 | - | - | - | 36 | 96 | 60-120 | 1.1 |

ROTATIONAL UNITS