

DGAR UK-2RS

Data sheet - rev. 1.0

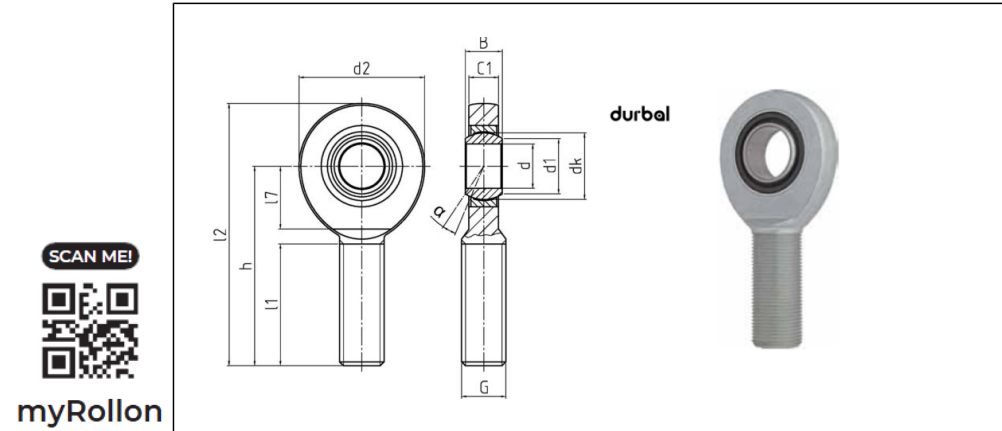
Rod Ends - Basic Line

Rod ends with pressed spherical-plain bearing, steel/PTFE, series E, male thread, with -2RS lip seals on both sides, according to DIN ISO 12240-4, maintenance free

FEATURES AND ADVANTAGES

- **HOUSING:** C45 forged heat-treated steel, surface galvanized, free of Cr VI
- **OUTER RING:** heat-treated steel, hardened, single split, bonded with PTFE – fabric, with -2RS lip seals on both sides
- **JOINT BALL:** 100 Cr6 ball bearing steel, hardened, ground, polished, up to size 12 hard chromium plated
- **MAINTENANCE:** maintenance free
- **TEMPERATURE RANGE:** -40° C to +120° C
- **USE & MAINTENANCE :** [see this page](#)
- **STATIC LOAD SERVICE LIFE :** [see this page](#)
- **TOLERANCES :** [see this page](#)

COMPONENTS AND DIMENSIONS



Type		Measurements [mm]															Tilt angle	Rotational speed limit	Axial factor		Basic load rating		Radial clearance	Weight
Right hand thread	Left hand thread	d	G	B	C1	h/h1	d1	d2	d3	d4	dk	I1/I3	I2/I4	I5	I7	W	α (°)	n _{max} (min ⁻¹)	Y	Y0	dyn C (kN)	stat C0 (kN)	CN (µm)	kg
DGAR 17 UK-2RS	DGAL 17 UK-2RS	17	M16	14	11	69	20	46	-	-	25	36	92	-	23	-	10	-	-	-	37.5	32.7	0-40	0.19
DGAR 20 UK-2RS	DGAL 20 UK-2RS	20	M20x1.5	16	13	78	24	53	-	-	29	43	104.5	-	27	-	9	-	-	-	52.2	44.7	0-40	0.31
DGAR 25 UK-2RS	DGAL 25 UK-2RS	25	M24x2	20	17	94	29	64	-	-	35.5	53	126	-	32	-	7	-	-	-	85.2	74.1	0-50	0.56
DGAR 30 UK-2RS	DGAL 30 UK-2RS	30	M30x2	22	19	110	34	73	-	-	40.7	65	146.5	-	37	-	6	-	-	-	109.9	96	0-50	0.89
DGAR 35 UK-2RS	DGAL 35 UK-2RS	35	M36x3	25	21	140	39	82	-	-	47	82	181	-	42	-	6	-	-	-	141	125.7	0-50	1.4
DGAR 40 UK-2RS	DGAL 40 UK-2RS	40	M39x3	28	23	150	45	92	-	-	53	86	196	-	48	-	7	-	-	-	174.9	153.7	0-60	1.8
DGAR 45 UK-2RS	DGAL 45 UK-2RS	45	M42x3	32	27	163	50	102	-	-	60	94	214	-	52	-	7	-	-	-	234	197.8	0-60	2.6
DGAR 50 UK-2RS	DGAL 50 UK-2RS	50	M45x3	35	30	185	55	112	-	-	66	107	241	-	60	-	6	-	-	-	287.1	240.7	0-60	3.4
DGAR 60 UK-2RS	DGAL 60 UK-2RS	60	M52x3	44	38	210	66	135	-	-	80	115	277.5	-	75	-	6	-	-	-	444	374.8	0-60	5.9
DGAR 70 UK-2RS	DGAL 70 UK-2RS	70	M56x4	49	42	235	77	160	-	-	92	125	315	-	87	-	6	-	-	-	565.8	531.2	0-72	8.2
DGAR 80 UK-2RS	DGAL 80 UK-2RS	80	M64x4	55	47	270	89	180	-	-	105	140	360	-	100	-	6	-	-	-	724.5	724.5	0-72	12