

# BRTF VR

Data sheet - rev. 1.0

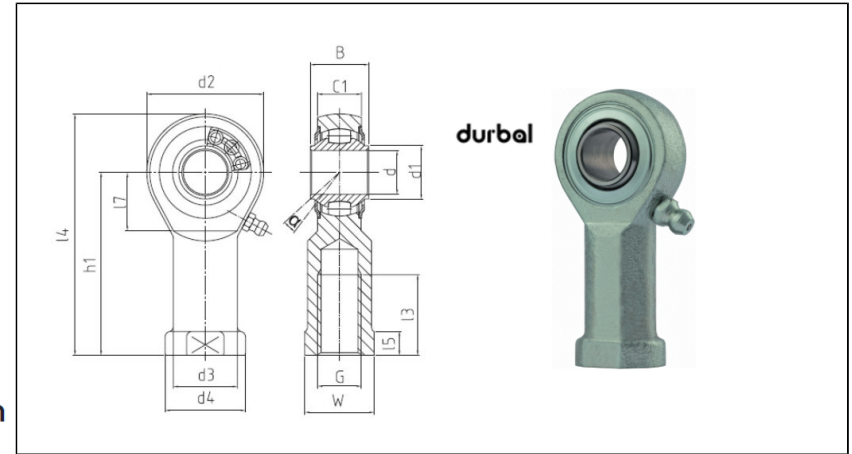
## Rod Ends - Premium Line

Rod ends with roller bearing, full complement design, female thread, series K, DIN ISO 12240-4 & 8139, low maintenance, lubrication possible

## FEATURES AND ADVANTAGES

- **HOUSING:** 17Cr3 forged steel, case hardened bearing race, superfinished, surface galvanized, free of Cr VI
- **INNER RING:** 100Cr6 ball bearing steel, hardened, superfinished
- **ROLLING ELEMENT:** 100Cr6 ball bearing steel, hardened, superfinished
- **MAINTENANCE:** low maintenance, lubrication possible, aluminium-complex-soap-grease, approval according to USDA H1
- **GREASE NIPPLE IN STAINLESS STEEL:** DIN 3405 D1/A (until size 10) / DIN 71 412 H1 (from size 12), further grease nipples
- **TEMPERATURE RANGE:** -45° C to +120° C
- **USE & MAINTENANCE :** [see this page](#)
- **STATIC LOAD SERVICE LIFE :** [see this page](#)
- **TOLERANCES :** [see this page](#)

## COMPONENTS AND DIMENSIONS



Type		Measurements [mm]															Tilt angle	Rotational speed limit	Axial factor		Basic load rating		Radial clearance	Weight
Right hand thread	Left hand thread	d	G	B	C1	h/h1	d1	d2	d3	d4	dk	l1/l3	l2/l4	l5	l7	W	$\alpha$ (°)	$n_{max}$ (min <sup>-1</sup> )	Y	Y0	dyn C (kN)	stat C0 (kN)	CN (µm)	kg
<b>BRTF 10 - 30 - 501</b>	<b>BRTF 10 - 30 - 502</b>	10	M10	14	10.5	43	12.7	28	15	19	-	20	57	6.5	15	17	8	820	9.5	5	11.4	6.5	10-30	0.08
<b>BRTF 10 - 31 - 501</b>	<b>BRTF 10 - 31 - 502</b>	10	M10x1.25	14	10.5	43	12.7	28	15	19	-	20	57	6.5	15	17	8	820	9.5	5	11.4	6.5	10-30	0.08
<b>BRTF 12 - 30 - 501</b>	<b>BRTF 12 - 30 - 502</b>	12	M12	16	12	50	14.6	32	17.5	22	-	22	66	6.5	16	19	7.5	750	9.5	5	14.9	9.8	10-30	0.11
<b>BRTF 12 - 31 - 501</b>	<b>BRTF 12 - 31 - 502</b>	12	M12x1.25	16	12	50	14.6	32	17.5	22	-	22	66	6.5	16	19	7.5	750	9.5	5	14.9	9.8	10-30	0.11
<b>BRTF 16 - 30 - 501</b>	<b>BRTF 16 - 30 - 502</b>	16	M16	21	15	64	19	42	22	27	-	28	85	8	22	22	7	650	9.5	5	17.3	11.8	10-30	0.22
<b>BRTF 16 - 31 - 501</b>	<b>BRTF 16 - 31 - 502</b>	16	M16x1.5	21	15	64	19	42	22	27	-	28	85	8	22	22	7	650	9.5	5	17.3	11.8	10-30	0.22
<b>BRTF 18 - 30 - 501</b>	<b>BRTF 18 - 30 - 502</b>	18	M18x1.5	23	16.5	71	21.9	46	25	31	-	32	94	10	24	27	8.5	600	9.5	5	18.5	12.9	10-30	0.3
<b>BRTF 20 - 30 - 501</b>	<b>BRTF 20 - 30 - 502</b>	20	M20x1.5	25	18	77	24.3	50	27.5	34	-	33	102	10	26	30	7	550	9.5	5	20.6	14.4	10-30	0.36
<b>BRTF 22 - 30 - 501</b>	<b>BRTF 22 - 30 - 502</b>	22	M22x1.5	28	20	84	25.8	54	30	38	-	37	111	12	26	32	8	480	9.5	5	23.4	17.3	10-30	0.49
<b>BRTF 25 - 30 - 501</b>	<b>BRTF 25 - 30 - 502</b>	25	M24x2	31	22	94	30.1	64	30	35	-	42	126	10	32	30	5	400	9.5	5	26.7	20.5	10-30	0.57
<b>BRTF 30 - 30 - 501</b>	<b>BRTF 30 - 30 - 502</b>	30	M30x2	37	25	110	34.5	70	40	50	-	51	145	15	35	41	7.5	300	9.5	5	42.2	35.2	10-30	1.05
<b>BRTF 35 - 30 - 501</b>	<b>BRTF 35 - 30 - 502</b>	35	M36x3	48	35	137	44.5	90	51	65	-	70	182	20	48	50	7	267	9.5	5	63.2	50.5	10-30	2.3
<b>BRTF 40 - 30 - 501</b>	<b>BRTF 40 - 30 - 502</b>	40	M40x3	66	49	170	60	120	58	70	-	80	230	22	70	60	7	240	9.5	5	124	99	10-30	4.7