

DGEZ ES-2RS

Data sheet - rev. 1.0

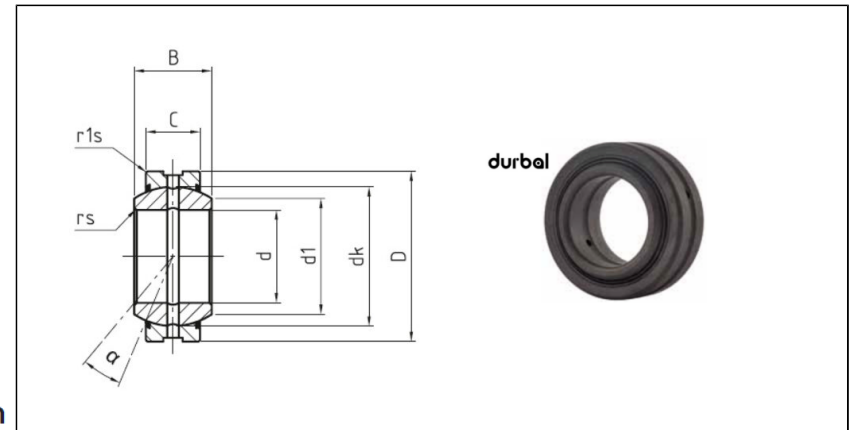
Spherical Plain Bearings - Basic Line

Spherical-plain bearing sliding combination steel / steel, with -2RS lip seals on both sides, series G, according to DIN ISO 12240-1

FEATURES AND ADVANTAGES

- Outer ring: ball bearing steel, hardened, ground, phosphated, single split, with oil groove and drill holes, with -2RS lip seals on both sides,
- Joint ball: ball bearing steel, hardened, ground, phosphated
- Maintenance: maintenance required, oiled on delivery, initial lubrication by the user
- USE & MAINTENANCE : [see this page](#)
- STATIC LOAD SERVICE LIFE : [see this page](#)
- TOLERANCES : [see this page](#)

COMPONENTS AND DIMENSIONS



| Type | Measurements [mm] | | | | | | | | Tilt angle α (°) | Rotational speed limit n_{max} (min ⁻¹) | Axial factor | | Basic load rating | | Radial clearance CN (µm) | Weight kg |
|-----------------|-------------------|--------|-------|--------|--------|-------|-----|-----|----------------------------|--|--------------|------|-------------------|--------------|-----------------------------|--------------|
| | d | D | d1 | B | C | dk | rs | rs1 | | | Y | Y0 | dyn C (kN) | stat C0 (kN) | | |
| DGEZ 25 ES-2RS | 25.40 | 41.28 | 29 | 22.23 | 19.05 | 36.5 | 0.3 | 0.6 | 6 | - | - | 56 | 166 | 80-180 | 0.12 | |
| DGEZ 31 ES-2RS | 31.75 | 50.8 | 36 | 27.76 | 23.8 | 45.5 | 0.6 | 0.6 | 6 | - | - | 86 | 260 | 80-180 | 0.23 | |
| DGEZ 34 ES-2RS | 34.93 | 55.56 | 38.6 | 30.15 | 16.19 | 49 | 0.6 | 1 | 6 | - | - | 102 | 310 | 80-180 | 0.35 | |
| DGEZ 38 ES-2RS | 38.10 | 61.91 | 43.4 | 33.33 | 28.58 | 54.7 | 0.6 | 1 | 6 | - | - | 125 | 375 | 80-180 | 0.42 | |
| DGEZ 44 ES-2RS | 44.45 | 71.42 | 50.7 | 38.89 | 33.33 | 63.9 | 0.6 | 1 | 6 | - | - | 170 | 510 | 80-180 | 0.64 | |
| DGEZ 50 ES-2RS | 50.80 | 80.96 | 57.9 | 44.45 | 38.1 | 73 | 0.6 | 1 | 6 | - | - | 224 | 670 | 80-180 | 0.93 | |
| DGEZ 57 ES-2RS | 57.15 | 90.49 | 65 | 50.01 | 42.85 | 82 | 0.6 | 1 | 6 | - | - | 280 | 850 | 100-200 | 1.33 | |
| DGEZ 63 ES-2RS | 63.50 | 100.01 | 73.3 | 55.55 | 47.63 | 92 | 0.6 | 1 | 6 | - | - | 355 | 1060 | 100-200 | 1.85 | |
| DGEZ 69 ES-2RS | 69.85 | 111.13 | 79.2 | 61.11 | 52.38 | 100 | 1 | 1 | 6 | - | - | 415 | 1250 | 100-200 | 2.42 | |
| DGEZ 76 ES-2RS | 76.20 | 120.65 | 86.9 | 66.68 | 57.15 | 109.5 | 1 | 1 | 6 | - | - | 500 | 1500 | 100-200 | 3.1 | |
| DGEZ 82 ES-2RS | 82.55 | 130.18 | 94.6 | 72.24 | 61.9 | 119 | 1 | 1 | 6 | - | - | 585 | 1760 | 130-230 | 3.82 | |
| DGEZ 88 ES-2RS | 88.90 | 139.7 | 101.7 | 77.78 | 66.68 | 128 | 1 | 1 | 6 | - | - | 680 | 2040 | 130-230 | 4.79 | |
| DGEZ 95 ES-2RS | 95.25 | 149.23 | 108.7 | 83.34 | 71.43 | 137 | 1 | 1 | 6 | - | - | 780 | 2360 | 130-230 | 5.8 | |
| DGEZ 101 ES-2RS | 101.60 | 158.75 | 115.8 | 88.9 | 76.2 | 146 | 1 | 1 | 6 | - | - | 900 | 2650 | 130-230 | 7 | |
| DGEZ 107 ES-2RS | 107.95 | 168.28 | 122.8 | 94.46 | 80.95 | 154.9 | 1 | 1 | 6 | - | - | 1000 | 2900 | 130-230 | 8.41 | |
| DGEZ 114 ES-2RS | 114.30 | 177.8 | 130.6 | 100.01 | 85.73 | 164.5 | 1 | 1 | 6 | - | - | 1120 | 3400 | 130-230 | 9.8 | |
| DGEZ 120 ES-2RS | 120.65 | 187.33 | 137.7 | 105.56 | 90.48 | 173.5 | 1 | 1 | 6 | - | - | 1250 | 3750 | 130-230 | 11.5 | |
| DGEZ 127 ES-2RS | 127 | 196.85 | 145.4 | 111.13 | 95.25 | 183 | 1 | 1 | 6 | - | - | 1400 | 4150 | 130-230 | 13.5 | |
| DGEZ 152 ES-2RS | 152.40 | 222.25 | 168.2 | 120.65 | 107.78 | 207 | 1 | 1 | 5 | - | - | 1730 | 5200 | 130-230 | 17.5 | |

ROTATIONAL UNITS