

DGE DW-2RS

Data sheet - rev. 1.0

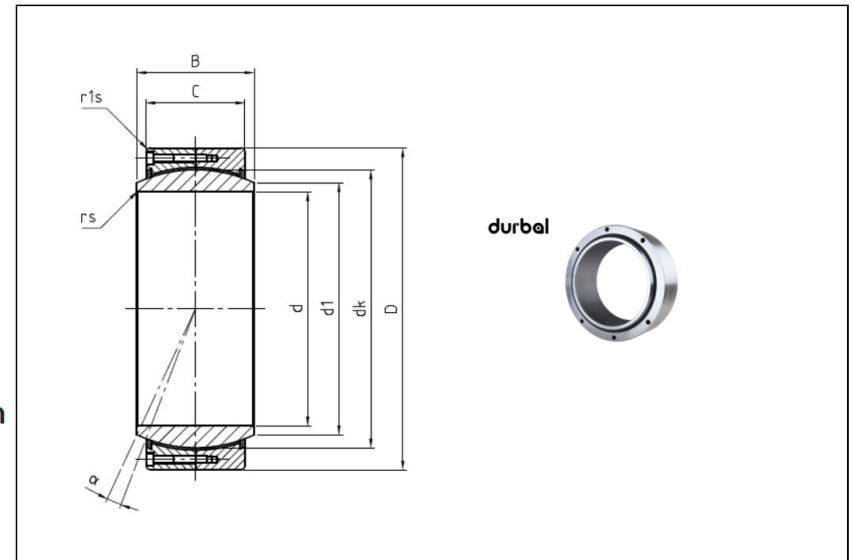
Spherical Plain Bearings - Basic Line

XXL-Large-radial-spherical-plain bearing, sliding combination steel / PTFE, with -2RS lip seals on both sides, series C, according to DIN ISO 12240-1

FEATURES AND ADVANTAGES

- Outer ring: heat-treated steel, hardened, radially split, it is held together by means of screws and dowel pins, bonded with PTFE – sheet, with -2RS lip seals on both sides
- Joint ball: ball bearing steel, hardened, ground, polished and hard chromium plated
- Maintenance: maintenance free
- Temperature range: -40° C to +120° C
- USE & MAINTENANCE : [see this page](#)
- STATIC LOAD SERVICE LIFE : [see this page](#)
- TOLERANCES : [see this page](#)

COMPONENTS AND DIMENSIONS



SCAN ME!



myRollon

Type	Measurements [mm]								Tilt angle α (°)	Rotational speed limit n_{max} (min ⁻¹)	Axial factor		Basic load rating		Radial clearance CN (µm)	Weight kg
	d	D	d1	B	C	dk	rs	rs1			Y	Y0	dyn C (kN)	stat C0 (kN)		
DGE 320 DW-2RS	320	440	344.6	160	135	380	1.1	3	4	-	-	-	12312	20520	0-125	77
DGE 340 DW-2RS	340	460	366.6	160	135	400	1.1	3	3.8	-	-	-	12960	21600	0-125	82
DGE 360 DW-2RS	360	480	388.3	160	135	420	1.1	3	3.6	-	-	-	13608	22680	0-135	84.2
DGE 380 DW-2RS	380	520	407.9	190	160	150	1.5	4	4.1	-	-	-	17280	28800	0-135	129
DGE 400 DW-2RS	400	540	429.8	190	160	470	1.5	4	3.9	-	-	-	18048	30080	0-135	133
DGE 420 DW-2RS	420	560	451.6	190	160	490	1.5	4	3.7	-	-	-	18816	31360	0-135	138
DGE 440 DW-2RS	440	600	472	218	185	520	1.5	4	3.9	-	-	-	23088	38480	0-145	193
DGE 460 DW-2RS	460	620	494	218	185	540	1.5	4	3.7	-	-	-	23976	39960	0-145	200
DGE 480 DW-2RS	480	650	516	230	195	565	2	5	3.8	-	-	-	26442	44070	0-145	237
DGE 500 DW-2RS	500	670	537.8	230	195	585	2	5	3.6	-	-	-	27378	45630	0-145	244
DGE 530 DW-2RS	530	710	570.3	243	205	620	2	5	3.7	-	-	-	30504	50840	0-145	289
DGE 560 DW-2RS	560	750	602	258	215	655	2	5	4	-	-	-	33798	56330	0-160	325
DGE 600 DW-2RS	600	800	644.9	272	230	700	2	5	3.6	-	-	-	38640	64400	0-160	407

ROTATIONAL UNITS