

DGE ES-2RS

Data sheet - rev. 1.0

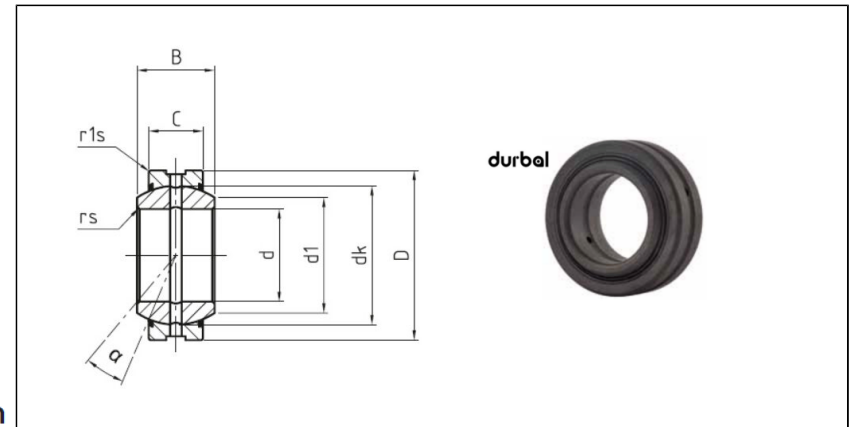
Spherical Plain Bearings - Basic Line

Spherical-plain bearing sliding combination steel / steel, with -2RS lip seals on both sides, series E, according to DIN ISO 12240-1

FEATURES AND ADVANTAGES

- Outer ring: ball bearing steel, hardened, ground, phosphated, single split, with oil groove and drill holes, with -2RS lip seals on both sides
- Joint ball: ball bearing steel, hardened, ground, phosphated
- Maintenance: maintenance required, oiled on delivery, initial lubrication by the user
- Temperature range: -40° C to +120° C
- USE & MAINTENANCE : [see this page](#)
- STATIC LOAD SERVICE LIFE : [see this page](#)
- TOLERANCES : [see this page](#)

COMPONENTS AND DIMENSIONS



Type	Measurements [mm]								Tilt angle α (°)	Rotational speed limit n_{max} (min ⁻¹)	Axial factor		Basic load rating		Radial clearance CN (µm)	Weight kg
	d	D	d1	B	C	dk	rs	rs1			Y	YO	dyn C (kN)	stat C0 (kN)		
DGE 15 ES-2RS	15	26	18	12	9	22	0.3	0.3	8	-	-	17	85	40-82	0.03	
DGE 16 ES-2RS	16	30	19	14	10	25	0.3	0.3	10	-	-	21.2	106	40-82	0.04	
DGE 17 ES-2RS	17	30	20	14	10	25	0.3	0.3	10	-	-	21.2	106	40-82	0.04	
DGE 20 ES-2RS	20	35	24	16	12	29	0.6	0.3	9	-	-	30	146	40-82	0.06	
DGE 25 ES-2RS	25	42	29	20	16	35.5	0.6	0.6	7	-	-	48	240	50-100	0.11	
DGE 30 ES-2RS	30	47	34	22	18	40.7	0.6	0.6	6	-	-	62	310	50-100	0.14	
DGE 35 ES-2RS	35	55	39	25	20	47	0.6	1	6	-	-	80	400	50-100	0.22	
DGE 40 ES-2RS	40	62	45	28	22	53	0.6	1	7	-	-	100	500	60-120	0.3	
DGE 45 ES-2RS	45	68	50	32	25	60	0.6	1	7	-	-	127	640	60-120	0.4	
DGE 50 ES-2RS	50	75	55	35	28	66	1	1	6	-	-	156	780	60-120	0.54	
DGE 60 ES-2RS	60	90	66	44	36	80	1	1	6	-	-	200	1220	60-120	1	
DGE 70 ES-2RS	70	105	77	49	40	92	1	1	6	-	-	315	1560	72-142	1.5	
DGE 80 ES-2RS	80	120	88	55	45	105	1	1	6	-	-	400	2000	72-142	2.2	
DGE 90 ES-2RS	90	130	98	60	50	115	1	1	5	-	-	490	2450	72-142	2.7	
DGE 100 ES-2RS	100	150	109	70	55	130	1	1	6	-	-	610	3050	85-165	4.3	
DGE 110 ES-2RS	110	160	121	70	55	140	1	1	6	-	-	655	3250	85-165	4.7	
DGE 120 ES-2RS	120	180	135	85	70	160	1	1	6	-	-	950	4750	85-165	8	
DGE 140 ES-2RS	140	210	155	90	70	180	1	1	7	-	-	1080	5400	85-165	11	
DGE 160 ES-2RS	160	230	170	105	80	200	1	1	8	-	-	1360	6800	100-192	14	
DGE 180 ES-2RS	180	260	199	105	80	225	1.1	1.1	6	-	-	1530	7650	100-192	18.5	
DGE 200 ES-2RS	200	290	213	130	100	250	1.1	1.1	7	-	-	2120	10600	100-192	28	
DGE 220 ES-2RS	220	320	239	135	100	275	1.1	1.1	8	-	-	2320	11600	100-192	35.51	
DGE 240 ES-2RS	240	340	265	140	100	300	1.1	1.1	8	-	-	2550	12700	100-192	39.91	
DGE 260 ES-2RS	260	370	288	150	110	325	1.1	1.1	7	-	-	3030	15190	110-214	51.54	
DGE 280 ES-2RS	280	400	313	155	120	350	1.1	1.1	6	-	-	3570	17850	110-214	65.06	
DGE 300 ES-2RS	300	430	336	165	120	375	1.1	1.1	7	-	-	3800	19100	110-214	78.07	
DGE 320 ES-2RS	320	440	344.6	160	135	380	1.1	3	4	-	-	4361	21803	125-239	77	
DGE 340 ES-2RS	340	460	366.6	160	135	400	1.1	3	3.8	-	-	4590	22950	125-239	82	
DGE 360 ES-2RS	360	480	388.3	160	135	420	1.1	3	3.6	-	-	4820	24098	135-261	84.2	
DGE 380 ES-2RS	380	520	407.9	190	160	450	1.5	4	4.1	-	-	6120	30600	135-261	129	

Type	Measurements [mm]								Tilt angle	Rotational speed limit	Axial factor		Basic load rating		Radial clearance	Weight
	d	D	d1	B	C	dk	rs	rs1	α (°)	n_{max} (min ⁻¹)	Y	Y0	dyn C (kN)	stat C0 (kN)	CN (μ m)	kg
DGE 400 ES-2RS	400	540	429.8	190	160	470	1.5	4	3.9	-	-	-	6392	31960	135-261	133
DGE 420 ES-2RS	420	560	451.6	190	160	490	1.5	4	3.7	-	-	-	6664	33320	135-261	138
DGE 440 ES-2RS	440	600	472	218	185	520	1.5	4	3.9	-	-	-	8177	40885	145-285	193
DGE 460 ES-2RS	460	620	494	218	185	540	1.5	4	3.7	-	-	-	8492	42458	145-285	200
DGE 480 ES-2RS	480	650	516	230	195	565	2	5	3.8	-	-	-	9365	46824	145-285	237
DGE 500 ES-2RS	500	670	537.8	230	195	585	2	5	3.6	-	-	-	9696	48482	145-285	244
DGE 530 ES-2RS	530	710	570.3	243	205	620	2	5	3.7	-	-	-	10804	54018	145-285	289
DGE 560 ES-2RS	560	750	602	258	215	655	2	5	4	-	-	-	11970	59851	160-320	325
DGE 600 ES-2RS	600	800	644.9	272	230	700	2	5	3.6	-	-	-	13685	68425	160-320	407
DGE 630 ES-2RS	630	850	676.4	300	260	740	3	6	3.3	-	-	-	16354	81770	160-320	525
DGE 670 ES-2RS	670	900	722	308	260	785	3	6	3.7	-	-	-	17349	86743	160-320	594
DGE 710 ES-2RS	710	950	763.7	325	275	830	3	6	3.7	-	-	-	19401	97006	170-350	693
DGE 750 ES-2RS	750	1000	808.3	335	280	875	3	6	3.8	-	-	-	20825	104125	170-350	779
DGE 800 ES-2RS	800	1060	859.5	355	300	930	3	6	3.6	-	-	-	23715	118575	170-350	920
DGE 850 ES-2RS	850	1120	914.8	365	310	985	3	6	3.4	-	-	-	25955	129774	170-350	1047
DGE 900 ES-2RS	900	1180	970	375	320	1040	3	6	3.2	-	-	-	28288	141440	195-405	1184
DGE 950 ES-2RS	950	1250	1024.6	400	340	1100	4	7.5	3.3	-	-	-	31790	158950	195-405	1420
DGE 1000 ES-2RS	1000	1320	1074.1	438	370	1160	4	7.5	3.5	-	-	-	36482	182410	195-405	1742

ROTATIONAL UNITS