

DGE E/ES

Data sheet - rev. 1.0

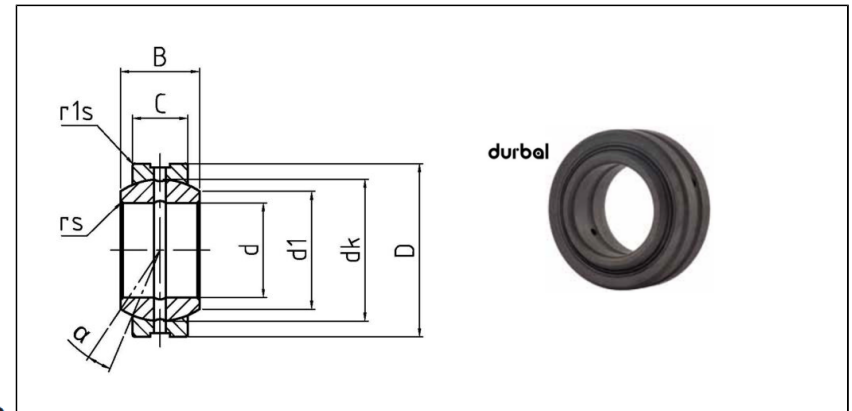
Spherical Plain Bearings - Basic Line

Spherical-plain bearing sliding combination steel / steel, series E, according to DIN ISO 12240-1

FEATURES AND ADVANTAGES

- Outer ring: ball bearing steel, hardened, ground, phosphated, single split, from size 15 with oil groove and drill holes,
- Joint ball: ball bearing steel, hardened, ground, phosphated
- Maintenance: maintenance required, oiled on delivery, initial lubrication by the user
- Temperature range: -40° C to +200° C
- USE & MAINTENANCE : [see this page](#)
- STATIC LOAD SERVICE LIFE : [see this page](#)
- TOLERANCES : [see this page](#)

COMPONENTS AND DIMENSIONS



SCAN ME!



myRollon

Type	Measurements [mm]								Tilt angle α (°)	Rotational speed limit n_{max} (min ⁻¹)	Axial factor		Basic load rating		Radial clearance CN (µm)	Weight kg
	d	D	d1	B	C	dk	rs	rs1			Y	YO	dyn C (kN)	stat C0 (kN)		
DGE 06 E	6	14	8	6	4	10	0.3	0.3	13	-	-	3.4	17	32-68	0	
DGE 08 E	8	16	10	8	5	13	0.3	0.3	15	-	-	5.5	27.5	32-68	0.01	
DGE 10 E	10	19	13	9	6	16	0.3	0.3	12	-	-	8.2	40	32-68	0.01	
DGE 12 E	12	22	15	10	7	18	0.3	0.3	11	-	-	10.8	54	32-68	0.02	
DGE 15 ES	15	26	18	12	9	22	0.3	0.3	8	-	-	17	85	40-82	0.03	
DGE 16 ES	16	30	19	14	10	25	0.3	0.3	10	-	-	21.2	106	40-82	0.04	
DGE 17 ES	17	30	20	14	10	25	0.3	0.3	10	-	-	21.2	106	40-82	0.04	
DGE 20 ES	20	35	24	16	12	29	0.6	0.3	9	-	-	30	146	40-82	0.06	
DGE 25 ES	25	42	29	20	16	35.5	0.6	0.6	7	-	-	48	240	50-100	0.11	
DGE 30 ES	30	47	34	22	18	40.7	0.6	0.6	6	-	-	62	310	50-100	0.14	
DGE 35 ES	35	55	39	25	20	47	0.6	1	6	-	-	80	400	50-100	0.22	
DGE 40 ES	40	62	45	28	22	53	0.6	1	7	-	-	100	500	60-120	0.3	
DGE 45 ES	45	68	50	32	25	60	0.6	1	7	-	-	127	640	60-120	0.4	
DGE 50 ES	50	75	55	35	28	66	1	1	6	-	-	156	780	60-120	0.54	
DGE 60 ES	60	90	66	44	36	80	1	1	6	-	-	200	1220	60-120	1	
DGE 70 ES	70	105	77	49	40	92	1	1	6	-	-	315	1560	72-142	1.5	
DGE 80 ES	80	120	88	55	45	105	1	1	6	-	-	400	2000	72-142	2.2	
DGE 90 ES	90	130	98	60	50	115	1	1	5	-	-	490	2450	72-142	2.7	
DGE 100 ES	100	150	109	70	55	130	1	1	6	-	-	610	3050	85-165	4.3	
DGE 110 ES	110	160	121	70	55	140	1	1	6	-	-	655	3250	85-165	4.7	
DGE 120 ES	120	180	135	85	70	160	1	1	6	-	-	950	4750	85-165	8	
DGE 140 ES	140	210	155	90	70	180	1	1	7	-	-	1080	5400	85-165	11	
DGE 160 ES	160	230	170	105	80	200	1	1	8	-	-	1360	6800	100-192	14	
DGE 180 ES	180	260	199	105	80	225	1.1	1.1	6	-	-	1530	7650	100-192	18.5	
DGE 200 ES	200	290	213	130	100	250	1.1	1.1	7	-	-	2120	10600	100-192	28	
DGE 220 ES	220	320	239	135	100	275	1.1	1.1	8	-	-	2320	11600	100-192	35.51	
DGE 240 ES	240	340	265	140	100	300	1.1	1.1	8	-	-	2550	12700	100-192	39.91	
DGE 260 ES	260	370	288	150	110	325	1.1	1.1	7	-	-	3030	15190	110-214	51.54	
DGE 280 ES	280	400	313	155	120	350	1.1	1.1	6	-	-	3570	17850	110-214	65.06	
DGE 300 ES	300	430	336	165	120	375	1.1	1.1	7	-	-	3800	19100	110-214	78.07	

ROTATIONAL UNITS