

SPKX

Data sheet - rev. 1.0

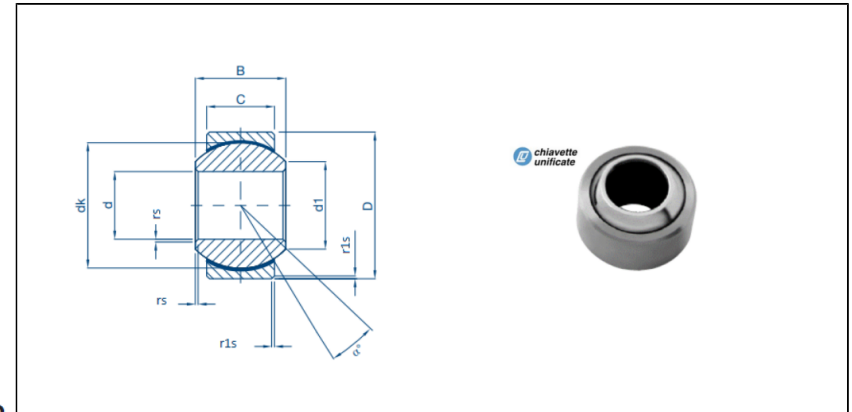
Spherical Plain Bearings - Tesno Stainless Steel

Self-lubricating spherical-plain bearings stainless steel with PTFE, series K, DIN ISO 12240-1, maintenance free.

FEATURES AND ADVANTAGES

- Outer ring: stainless steel X5CrNi1810 (1.4301 – AISI 304) with PTFE bonded on the inner surface
- Inner ring: stainless steel AISI 440c
- Maintenance: maintenance free
- Temperature range: -40° C to +200° C
- USE & MAINTENANCE : [see this page](#)
- STATIC LOAD SERVICE LIFE : [see this page](#)
- TOLERANCES : [see this page](#)

COMPONENTS AND DIMENSIONS



SCAN ME!



myRollon

Type	Measurements [mm]								Tilt angle α (°)	Rotational speed limit n_{max} (min ⁻¹)	Axial factor		Basic load rating		Radial clearance CN (µm)	Weight kg
	d	D	d1	B	C	dk	rs	rs1			Y	Y0	dyn C (kN)	stat C0 (kN)		
SPKX5	5	13	7.7	8	6	11.1	0.3	0.3	13	-	-	8.3	14.9	20-50	0.01	
SPKX6	6	16	8.9	9	6.75	12.7	0.3	0.3	13	-	-	11	19.6	20-50	0.01	
SPKX8	8	19	10.4	12	9	15.6	0.3	0.3	14	-	-	19	34.1	20-50	0.02	
SPKX10	10	22	12.9	14	10.5	19.1	0.3	0.3	13	-	-	27.1	48.6	20-50	0.03	
SPKX12	12	26	15.4	16	12	22.2	0.3	0.3	13	-	-	36.7	65.7	20-50	0.04	
SPKX14	14	28	16.8	19	13.5	25.4	0.3	0.3	15	-	-	47.6	85.3	20-50	0.09	
SPKX16	16	32	19.3	21	15	28.6	0.3	0.3	15	-	-	60	107.4	20-50	0.08	
SPKX18	18	35	21.8	23	16.5	31.7	0.3	0.3	15	-	-	73.8	132.2	20-50	0.13	
SPKX20	20	40	24.3	25	18	34.9	0.3	0.6	14	-	-	89	159.5	20-50	0.15	
SPKX22	22	42	25.8	28	20	38.1	0.3	0.6	15	-	-	108.6	194.4	20-50	0.21	
SPKX25	25	47	29.5	31	22	42.8	0.3	0.6	15	-	-	135	241.7	20-50	0.3	
SPKX30	30	55	34.8	37	25	50.8	0.3	0.3	17	-	-	182.9	327.5	20-50	0.38	
SPKX35	35	62	37.7	43	28	57.2	0.6	1	19	-	-	231.5	414.5	20-50	0.49	

ROTATIONAL UNITS