

# GLE

Data sheet - rev. 1.0

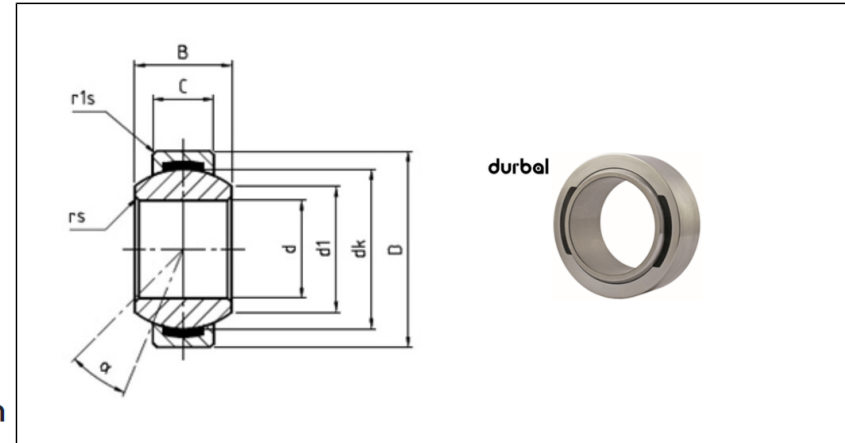
## Spherical Plain Bearings - Classic Line

Heavy-duty spherical-plain bearing, sliding combination steel / DURBAL-Glide (PTFE), series E, according to DIN ISO 12240-1

### FEATURES AND ADVANTAGES

- Outer ring: C45 steel with injected DURBAL-Glide (Polyamid-PTFE-fibreglass-Compound)
- Joint ball: 100Cr6 ball bearing steel, hardened, ground, polished and hard chromium plated
- Maintenance: maintenance free
- Temperature range: -30° C to +60° C
- USE & MAINTENANCE : [see this page](#)
- STATIC LOAD SERVICE LIFE : [see this page](#)
- TOLERANCES : [see this page](#)

### COMPONENTS AND DIMENSIONS



SCAN ME!



myRollon

| Type              | Measurements [mm] |    |    |    |    |      |     |     | Tilt angle<br>$\alpha$ (°) | Rotational speed limit<br>$n_{max}$ (min <sup>-1</sup> ) | Axial factor |    | Basic load rating |              | Radial clearance<br>CN (µm) | Weight<br>kg |
|-------------------|-------------------|----|----|----|----|------|-----|-----|----------------------------|--|--------------|----|-------------------|--------------|-----------------------------|--------------|
|                   | d                 | D  | d1 | B  | C  | dk   | rs  | rs1 |                            |  | Y            | Y0 | dyn C (kN)        | stat C0 (kN) |                             |              |
| GLE 06 - 20 - 500 | 6                 | 14 | 8  | 6  | 4  | 10   | 0.3 | 0.3 | 13                         | -  | -            | -  | 2.5               | 6.4          | 0-10                        | 0            |
| GLE 08 - 20 - 500 | 8                 | 16 | 10 | 8  | 5  | 13   | 0.3 | 0.3 | 15                         | -  | -            | -  | 4.2               | 11           | 0-10                        | 0.01         |
| GLE 10 - 20 - 500 | 10                | 19 | 13 | 9  | 6  | 16   | 0.3 | 0.3 | 12                         | -  | -            | -  | 6.4               | 16.8         | 0-10                        | 0.01         |
| GLE 12 - 20 - 500 | 12                | 22 | 15 | 10 | 7  | 18   | 0.3 | 0.3 | 10.5                       | -  | -            | -  | 9.2               | 23           | 0-10                        | 0.02         |
| GLE 15 - 20 - 500 | 15                | 26 | 18 | 12 | 9  | 22   | 0.3 | 0.3 | 8.5                        | -  | -            | -  | 13.4              | 39.6         | 0-10                        | 0.24         |
| GLE 17 - 20 - 500 | 17                | 30 | 20 | 14 | 10 | 25   | 0.3 | 0.3 | 10                         | -  | -            | -  | 19.2              | 54.1         | 0-10                        | 0.04         |
| GLE 20 - 20 - 500 | 20                | 35 | 24 | 16 | 12 | 29   | 0.3 | 0.3 | 9                          | -  | -            | -  | 25.2              | 76.7         | 0-10                        | 0.06         |
| GLE 25 - 20 - 500 | 25                | 42 | 29 | 20 | 16 | 35.5 | 0.6 | 0.6 | 7.5                        | -  | -            | -  | 42.4              | 119.1        | 0-10                        | 0.11         |
| GLE 30 - 20 - 500 | 30                | 47 | 34 | 22 | 18 | 40.7 | 0.6 | 0.6 | 6                          | -  | -            | -  | 54                | 141.8        | 0-10                        | 0.15         |
| GLE 35 - 20 - 500 | 35                | 55 | 39 | 25 | 20 | 47   | 0.6 | 1   | 6.5                        | -  | -            | -  | 70.4              | 180.8        | 0-10                        | 0.23         |
| GLE 40 - 20 - 500 | 40                | 62 | 45 | 28 | 22 | 53   | 0.6 | 1   | 7                          | -  | -            | -  | 86                | 222.6        | 0-10                        | 0.3          |
| GLE 45 - 20 - 500 | 45                | 69 | 50 | 32 | 25 | 60   | 0.6 | 1   | 7.5                        | -  | -            | -  | 107               | 276.2        | 0-10                        | 0.43         |
| GLE 50 - 20 - 500 | 50                | 75 | 55 | 35 | 28 | 66   | 0.6 | 1   | 6.5                        | -  | -            | -  | 132               | 339.2        | 0-10                        | 0.52         |
| GLE 60 - 20 - 500 | 60                | 90 | 66 | 44 | 36 | 80   | 1   | 1   | 6.5                        | -  | -            | -  | 208               | 532.1        | 0-10                        | 0.82         |

# ROTATIONAL UNITS