

CFEX

Data sheet - rev. 1.0

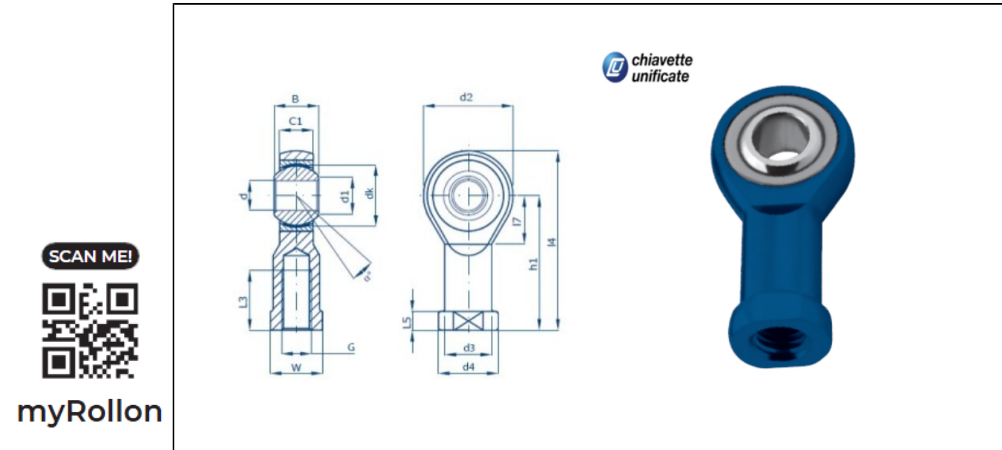
Rod Ends - Tesno Ergal Stainless Steel

Self-lubricating rod ends with PTFE in ergal and stainless steel, female thread, series K, DIN ISO 12240-4, maintenance free

FEATURES AND ADVANTAGES

- **HOUSING:** ERGAL (alloy EN AW 7075 state T6) blue or purple anodized surface
- **OUTER RING:** stainless steel X5CrNi1810 (1.4301 – AISI 304) with PTFE bonded on the inner surface
- **INNER RING:** AISI 440c stainless steel
- **MAINTENANCE:** maintenance free
- **TEMPERATURE RANGE:** -40° C to +200° C
- **USE & MAINTENANCE :** [see this page](#)
- **STATIC LOAD SERVICE LIFE :** [see this page](#)
- **TOLERANCES :** [see this page](#)

COMPONENTS AND DIMENSIONS



Type		Measurements [mm]															Tilt angle	Rotational speed limit	Axial factor		Basic load rating		Radial clearance	Weight
Right hand thread	Left hand thread	d	G	B	C1	h/h1	d1	d2	d3	d4	dk	l1/l3	l2/l4	l5	l7	W	α (°)	n_{max} (min ⁻¹)	Y	Y0	dyn C (kN)	stat C0 (kN)	CN (µm)	kg
CFEX6 M6	CFEXL6 M6	6	M6	9	6.75	30	8.9	20	10	13	12.7	12	40	5	11	11	13	-	-	-	11	9.7	0-32	0.02
CFEX8 M8	CFEXL8 M8	8	M8	12	9	36	10.4	24	12.5	16	15.87	16	48	5	13	14	14	-	-	-	19	16.2	0-32	0.04
CFEX10 M10	CFEXL10 M10	10	M10	14	10.5	43	12.9	28	15	19	19.05	20	57	6.5	15	17	13	-	-	-	27.1	22.7	0-32	0.06
CFEX12 M12	CFEXL12 M12	12	M12	16	12	50	15.4	32	17.5	22	22.22	22	66	6.5	17	19	13	-	-	-	36.7	25.9	0-40	0.1

ROTATIONAL UNITS