

DSA-E/ES-2RS

Data sheet - rev. 1.0

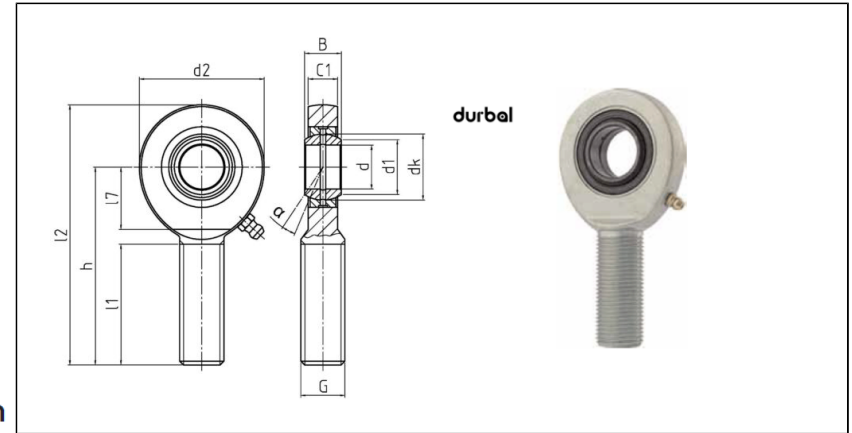
Rod Ends - Basic Line

Rod ends with pressed spherical-plain bearing, with -2RS lip seals on both sides, male thread, series E, according to DIN ISO 12240-4, maintenance required

FEATURES AND ADVANTAGES

- **HOUSING:** forged heat-treated steel, surface galvanized, free of Cr VI
- **OUTER RING:** ball bearing steel, hardened, ground, phosphated, from size 15 with single split, oil groove and drill holes, with -2RS lip seals on both sides
- **JOINT BALL:** ball bearing steel, hardened, ground, phosphated
- **MAINTENANCE:** maintenance required, oiled on delivery, initial lubrication by the user
- **GREASE NIPPLE:** DIN 3405 D1/A (sizes 15 to 17), DIN 71 412 H1 (sizes 20 to 80), further grease nipple
- **TEMPERATURE RANGE:** -40° C to +120° C
- **USE & MAINTENANCE :** [see this page](#)
- **STATIC LOAD SERVICE LIFE :** [see this page](#)
- **TOLERANCES :** [see this page](#)

COMPONENTS AND DIMENSIONS



Type		Measurements [mm]															Tilt angle	Rotational speed limit	Axial factor	Basic load rating		Radial clearance	Weight	
Right hand thread	Left hand thread	d	G	B	C1	h/h1	d1	d2	d3	d4	dk	l1/l3	l2/l4	l5	l7	W	α (°)	n_{max} (min ⁻¹)	Y	Y0	dyn C (kN)	stat C0 (kN)	CN (µm)	kg
DSA 15 ES-2RS	DSAL 15 ES-2RS	15	M14	12	10	63	18	40	-	-	22	34	83	-	20	-	8	-	-	-	11.2	28.8	8-82	0.14
DSA 17 ES-2RS	DSAL 17 ES-2RS	17	M16	14	11	69	20	46	-	-	25	36	92	-	23	-	10	-	-	-	13.4	36	8-82	0.19
DSA 20 ES-2RS	DSAL 20 ES-2RS	20	M20x1.5	16	13	78	24	53	-	-	29	43	104.5	-	27	-	9	-	-	-	20.4	48	8-82	0.31
DSA 25 ES-2RS	DSAL 25 ES-2RS	25	M24x2	20	17	94	29	64	-	-	35.5	53	126	-	32	-	7	-	-	-	36.5	66.4	8-100	0.56
DSA 30 ES-2RS	DSAL 30 ES-2RS	30	M30x2	22	19	110	34	73	-	-	40	65	146.5	-	37	-	6	-	-	-	46.7	88	8-100	0.89
DSA 35 ES-2RS	DSAL 35 ES-2RS	35	M36x3	25	21	140	39	82	-	-	47	82	181	-	41	-	6	-	-	-	60.3	116.8	8-100	1.4
DSA 40 ES-2RS	DSAL 40 ES-2RS	40	M39x3	28	23	150	45	92	-	-	53	86	196	-	46	-	7	-	-	-	70.6	144	8-120	1.8
DSA 45 ES-2RS	DSAL 45 ES-2RS	45	M42x3	32	27	163	50	102	-	-	60	94	214	-	51	-	7	-	-	-	92.7	192	8-120	2.6
DSA 50 ES-2RS	DSAL 50 ES-2RS	50	M45x3	35	30	185	55	112	-	-	66	107	241	-	56	-	6	-	-	-	112	232	8-120	3.4
DSA 60 ES-2RS	DSAL 60 ES-2RS	60	M52x3	44	38	210	66	135	-	-	80	115	277.5	-	68	-	6	-	-	-	185.3	360	8-120	5.9
DSA 70 ES-2RS	DSAL 70 ES-2RS	70	M56x4	49	42	235	77	160	-	-	92	125	315	-	80	-	6	-	-	-	221.3	488	8-142	8.2
DSA 80 ES-2RS	DSAL 80 ES-2RS	80	M64x4	55	47	270	89	180	-	-	105	140	360	-	90	-	6	-	-	-	287.6	600	8-142	12