

DGIR UK

Data sheet - rev. 1.0

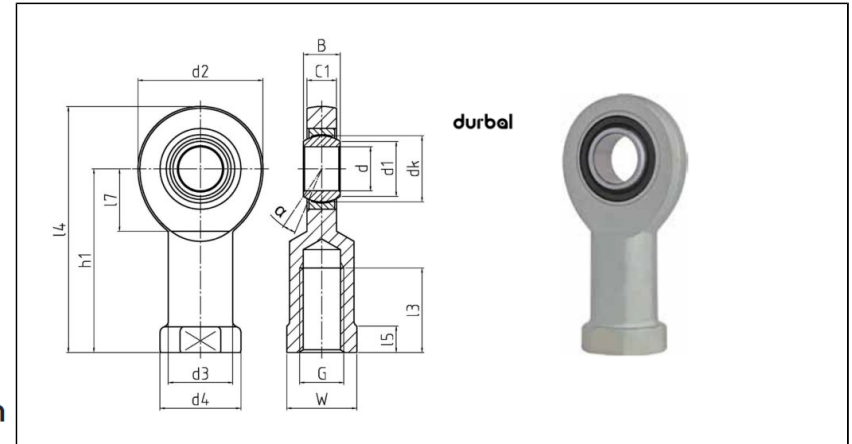
Rod Ends - Basic Line

Rod ends with pressed spherical-plain bearing, steel/PTFE, series E, male thread, according to DIN ISO 12240-4, maintenance free

FEATURES AND ADVANTAGES

- **HOUSING:** C45 forged heat-treated steel, surface galvanized, free of Cr VI
- **OUTER RING:** heat-treated steel, lined with bronze – PTFE – composite
- **JOINT BALL:** 100 Cr6 ball bearing steel, hardened, ground, polished, up to size 12 hard chromium plated
- **MAINTENANCE:** maintenance free
- **TEMPERATURE RANGE:** -40° C to +200° C
- **USE & MAINTENANCE :** [see this page](#)
- **STATIC LOAD SERVICE LIFE :** [see this page](#)
- **TOLERANCES :** [see this page](#)

COMPONENTS AND DIMENSIONS



Type		Measurements [mm]															Tilt angle	Rotational speed limit	Axial factor		Basic load rating		Radial clearance	Weight
Right hand thread	Left hand thread	d	G	B	C1	h/h1	d1	d2	d3	d4	dk	l1/l3	l2/l4	l5	l7	W	α (°)	n _{max} (min ⁻¹)	Y	Y0	dyn C (kN)	stat C0 (kN)	CN (µm)	kg
DGIR 06 UK	DGIL 06 UK	6	M6	6	4.4	30	8	21	10	13	10	11	40.5	5	12	11	13	-	-	-	5.1	7.5	0-32	0.02
DGIR 08 UK	DGIL 08 UK	8	M8	8	6	36	10	24	12.5	16	13	15	48	5	14	14	15	-	-	-	9.8	10.9	0-32	0.04
DGIR 10 UK	DGIL 10 UK	10	M10	9	7	43	13	29	15	19	16	20	57.5	6.5	15	17	12	-	-	-	14.4	16.9	0-32	0.06
DGIR 12 UK	DGIL 12 UK	12	M12	10	8	50	15	34	17.5	22	18	23	67	6.5	18	19	11	-	-	-	18.9	21.8	0-32	0.1
DGIR 15 UK	DGIL 15 UK	15	M14	12	10	61	18	40	21	26	22	30	81	8	20	22	8	-	-	-	29.7	25.1	0-40	0.18
DGIR 17 UK	DGIL 17 UK	17	M16	14	11	67	20	46	24	30	25	34	90	10	23	27	10	-	-	-	37.5	32.7	0-40	0.22
DGIR 20 UK	DGIL 20 UK	20	M20x1.5	16	13	77	24	53	27.5	35	29	40	103.5	10	27	32	9	-	-	-	52.2	44.7	0-40	0.35
DGIR 25 UK	DGIL 25 UK	25	M24x2	20	17	94	29	64	33.5	42	35.5	48	126	12	32	36	7	-	-	-	85.2	74.1	0-50	0.64
DGIR 30 UK	DGIL 30 UK	30	M30x2	22	19	110	34	73	40	50	40.7	56	146.5	15	37	41	6	-	-	-	109.9	96	0-50	0.93