

BRTM

Data sheet - rev. 1.0

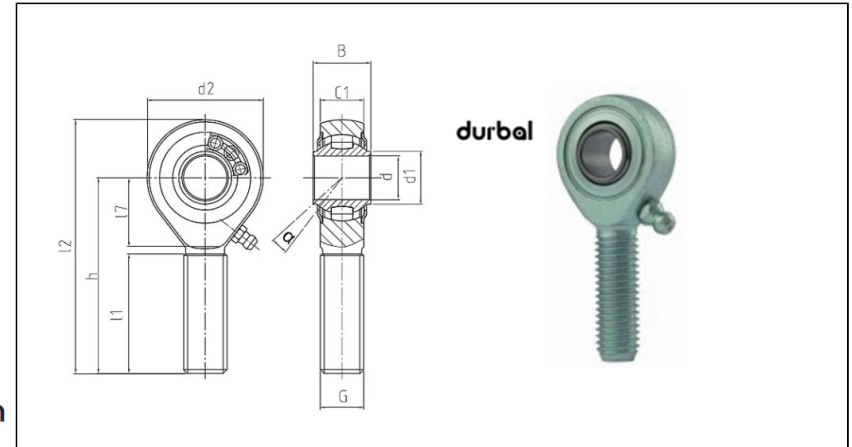
Rod Ends - Premium Line

Rod ends with roller bearing, cage design, male thread, series K, DIN ISO 12240-4, low maintenance, lubrication possible

FEATURES AND ADVANTAGES

- **HOUSING:** 17Cr3 forged steel, case hardened bearing race, superfinished, surface galvanized, free of Cr VI
- **INNER RING:** 100Cr6 ball bearing steel, hardened, superfinished
- **ROLLING ELEMENT:** 100Cr6 ball bearing steel, hardened, superfinished
- **MAINTENANCE:** low maintenance, lubrication possible, aluminium-complex-soap-grease, approval according to USDA H1
- **GREASE NIPPLE:** DIN 3405 D1/A (until size 10) / DIN 71 412 H1 (from size 12), further grease nipples
- **TEMPERATURE RANGE:** -45° C to +120° C
- **USE & MAINTENANCE :** [see this page](#)
- **STATIC LOAD SERVICE LIFE :** [see this page](#)
- **TOLERANCES :** [see this page](#)

COMPONENTS AND DIMENSIONS



| Type | | Measurements [mm] | | | | | | | | | | | | | | | Tilt angle | Rotational speed limit | Axial factor | | Basic load rating | | Radial clearance | Weight |
|---------------------------|---------------------------|-------------------|---------|----|------|------|------|-----|----|----|----|-------|-------|----|-----|---|--------------|--------------------------------|--------------|----|-------------------|--------------|------------------|--------|
| Right hand thread | Left hand thread | d | G | B | C1 | h/h1 | d1 | d2 | d3 | d4 | dk | l1/l3 | l2/l4 | l5 | l7 | W | α (°) | n_{max} (min ⁻¹) | Y | Y0 | dyn C (kN) | stat C0 (kN) | CN (μ m) | kg |
| BRTM 10 - 00 - 501 | BRTM 10 - 00 - 502 | 10 | M10 | 14 | 10.5 | 48 | 12.7 | 28 | - | - | - | 29 | 62 | - | 15 | - | 8 | 1225 | 9.5 | 5 | 9.5 | 5.4 | 10-30 | 0.06 |
| BRTM 12 - 00 - 501 | BRTM 12 - 00 - 502 | 12 | M12 | 16 | 12 | 54 | 14.6 | 32 | - | - | - | 33 | 70 | - | 19 | - | 7 | 1125 | 9.5 | 5 | 10.3 | 6.6 | 10-30 | 0.09 |
| BRTM 16 - 00 - 501 | BRTM 16 - 00 - 502 | 16 | M16 | 21 | 15 | 66 | 19 | 42 | - | - | - | 40 | 87 | - | 22 | - | 7 | 975 | 9.5 | 5 | 13.3 | 8.9 | 10-30 | 0.19 |
| BRTM 20 - 00 - 501 | BRTM 20 - 00 - 502 | 20 | M20x1.5 | 25 | 18 | 78 | 24.3 | 50 | - | - | - | 47 | 103 | - | 28 | - | 7 | 825 | 9.5 | 5 | 17 | 11.7 | 10-30 | 0.34 |
| BRTM 25 - 00 - 501 | BRTM 25 - 00 - 502 | 25 | M24x2 | 31 | 22 | 94 | 30.1 | 64 | - | - | - | 57 | 126 | - | 360 | - | 5 | 600 | 9.5 | 5 | 24.9 | 18.5 | 10-30 | 0.6 |
| BRTM 30 - 00 - 501 | BRTM 30 - 00 - 502 | 30 | M30x2 | 37 | 25 | 110 | 34.5 | 70 | - | - | - | 66 | 145 | - | 35 | - | 7.5 | 450 | 9.5 | 5 | 32.5 | 24.9 | 10-30 | 0.91 |
| BRTM 35 - 00 - 501 | BRTM 35 - 00 - 502 | 35 | M36x2 | 48 | 35 | 137 | 44.5 | 92 | - | - | - | 82 | 183 | - | 48 | - | 7 | 400 | 9.5 | 5 | 50.1 | 37 | 10-30 | 2 |
| BRTM 40 - 00 - 501 | BRTM 40 - 00 - 502 | 40 | M42x2 | 66 | 49 | 170 | 60 | 120 | - | - | - | 94 | 230 | - | 70 | - | 7 | 360 | 9.5 | 5 | 104.9 | 79.2 | 10-30 | 4.35 |

ROTATIONAL UNITS