

# BRF Zoll

Data sheet - rev. 1.0

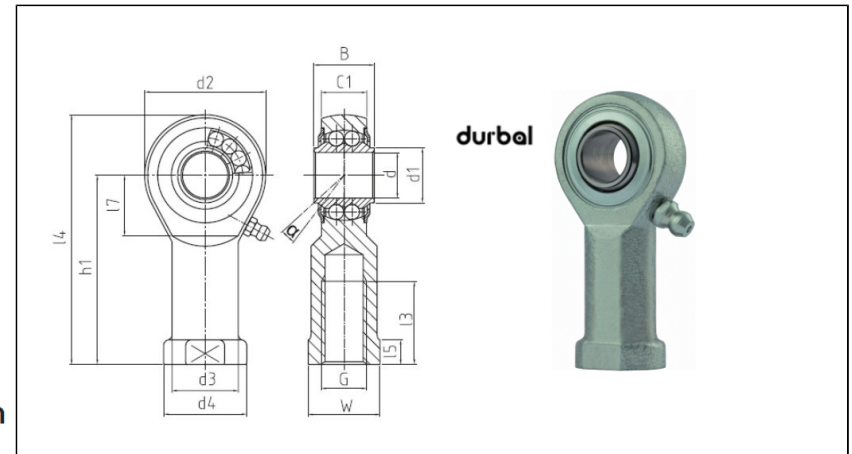
## Rod Ends - Premium Line

Rod ends with ball bearing, female thread, dimensions in inches, low maintenance, lubrication possible

### FEATURES AND ADVANTAGES

- **HOUSING:** 17Cr3 forged steel, case hardened bearing race, superfinished, surface galvanized, free of Cr VI
- **INNER RING:** 100Cr6 ball bearing steel, hardened, superfinished
- **ROLLING ELEMENT:** 100Cr6 ball bearing steel, hardened, superfinished
- **MAINTENANCE:** low maintenance, lubrication possible, aluminium-complex-soap-grease, approval according to USDA H1
- **GREASE NIPPLE:** DIN 3405 D1/A (until size 3/8) / DIN 71 412 H1 (from size 1/2), further grease nipples see on this page
- **TEMPERATURE RANGE:** -45° C to +120° C
- **USE & MAINTENANCE :** [see this page](#)
- **STATIC LOAD SERVICE LIFE :** [see this page](#)
- **TOLERANCES :** [see this page](#)

### COMPONENTS AND DIMENSIONS



Type		Measurements [Inch]															Tilt angle	Rotational speed limit	Axial factor		Basic load rating		Radial clearance	Weight
Right hand thread	Left hand thread	d	G	B	C1	h/h1	d1	d2	d3	d4	dk	l1/l3	l2/l4	l5	l7	W	α (°)	n <sub>max</sub> (min <sup>-1</sup> )	Y	Y0	dyn C (kN)	stat C0 (kN)	CN (µm)	kg
<b>BRF 1/4 - 00 - 501</b>	<b>BRF 1/4 - 00 - 502</b>	0.250	1/4 - 28 UNF	0.354	0.265	1.2	0.356	0.787	0.393	0.511	-	0.472	1.593	0.24	0.452	0.433	8	1350	2.09	2.19	2.7	0.7	10-30	0.03
<b>BRF 3/8 - 00 - 501</b>	<b>BRF 3/8 - 00 - 502</b>	0.375	3/8 - 24 UNF	0.551	0.413	1.712	0.468	1.102	0.59	0.748	-	0.787	2.263	0.299	0.59	0.669	8	1225	1.87	1.83	4.4	1.4	10-30	0.07
<b>BRF 1/2 - 00 - 501</b>	<b>BRF 1/2 - 00 - 502</b>	0.500	1/2 - 20 UNF	0.624	0.472	2.145	0.574	1.311	0.748	0.874	-	1.102	2.801	0.279	0.649	0.757	7.5	1125	1.74	1.82	4.9	1.9	10-30	0.13
<b>BRF 5/8 - 00 - 501</b>	<b>BRF 5/8 - 00 - 502</b>	0.625	5/8 - 18 UNF	0.826	0.59	2.539	0.744	1.653	0.866	1.062	-	1.102	3.366	0.322	0.885	0.886	8	975	2.24	2.35	6.3	2.4	10-30	0.22
<b>BRF 3/4 - 00 - 501</b>	<b>BRF 3/4 - 00 - 502</b>	0.750	3/4 - 16 UNF	0.984	0.708	3.051	0.956	1.968	1	1.125	-	1.299	3.926	0.409	1.043	1.007	7	825	2.32	2.43	7.8	3.4	10-30	0.39
<b>BRF 1/1 - 00 - 501</b>	<b>BRF 1/1 - 00 - 502</b>	1	1/1 - 12 UNF	1.22	0.866	3.72	1.161	2.519	1.171	1.377	-	1.653	4.98	0.236	1.279	1.181	5	600	2.02	2.12	11	5.7	10-30	0.57
<b>BRF 1/1 - 01 - 501</b>	<b>BRF 1/1 - 01 - 502</b>	1	1/1 - 14 UNS	1.22	0.866	3.72	1.161	2.519	1.171	1.377	-	1.653	4.98	0.236	1.279	1.181	5	600	2.02	2.12	11	5.7	10-30	0.57

# ROTATIONAL UNITS