

DGE FW

Data sheet - rev. 1.0

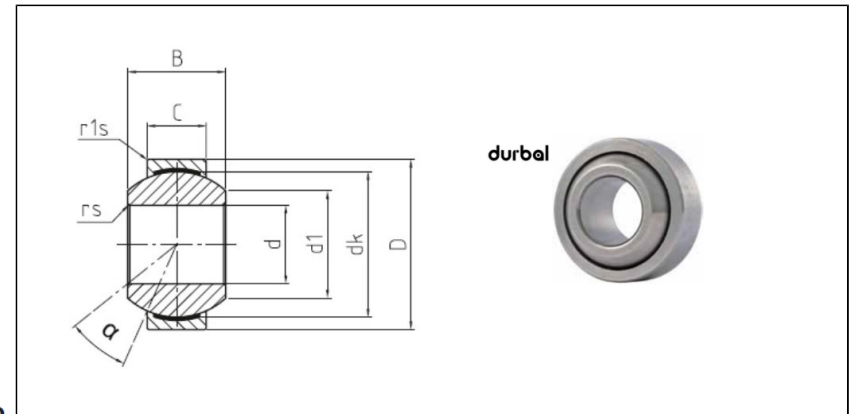
Spherical Plain Bearings - Basic Line

Radial-spherical plain bearing sliding combination steel / PTFE, series G, according to DIN ISO 12240-1

FEATURES AND ADVANTAGES

- Outer ring: heat-treated steel, lined with bronze – PTFE – composite
- Joint ball: ball bearing steel, hardened, ground, polished, up to size 12 hard chromium plated
- Maintenance: maintenance free
- Temperature range: -40° C to +200° C
- USE & MAINTENANCE : [see this page](#)
- STATIC LOAD SERVICE LIFE : [see this page](#)
- TOLERANCES : [see this page](#)

COMPONENTS AND DIMENSIONS



SCAN ME!



myRollon

Type	Measurements [mm]								Tilt angle α (°)	Rotational speed limit n_{max} (min ⁻¹)	Axial factor		Basic load rating		Radial clearance CN (µm)	Weight kg
	d	D	d1	B	C	dk	rs	rs1			Y	YO	dyn C (kN)	stat C0 (kN)		
DGE 06 FW	6	16	9	9	5	13	0.3	0.3	21	-	-	-	5.8	14	4-28	0.01
DGE 08 FW	8	19	11	11	6	16	0.3	0.3	21	-	-	-	8.6	21	4-28	0.01
DGE 10 FW	10	22	13	12	7	18	0.3	0.3	18	-	-	-	11	28	4-28	0.02
DGE 12 FW	12	26	16	15	9	22	0.3	0.3	18	-	-	-	18	45	4-28	0.03
DGE 15 FW	15	30	19	16	10	25	0.3	0.3	16	-	-	-	22	56	5-35	0.05
DGE 17 FW	17	35	21	20	12	29	0.3	0.3	19	-	-	-	31	78	5-35	0.08
DGE 20 FW	20	42	24	25	16	35.5	0.3	0.3	17	-	-	-	51	127	5-35	0.15
DGE 25 FW	25	47	29	28	18	40.7	0.6	0.6	17	-	-	-	65	166	6-44	0.2
DGE 30 FW	30	55	34	32	20	47	0.6	0.6	17	-	-	-	83	212	6-44	0.3

ROTATIONAL UNITS