

CM OK

Data sheet - rev. 1.0

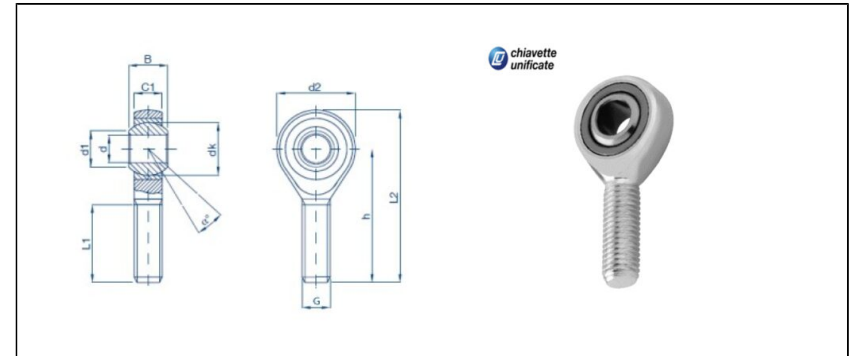
Rod Ends - Tescubal OK

Self-lubricating rod ends, male thread, series K, DIN ISO 12240-4, maintenance free

FEATURES AND ADVANTAGES

- **HOUSING:** up to size 12 automatic steel 11SMnPb30 (1.0718), from size 14 carbon steel C40 (1.1186), galvanized surface free of Cr VI
- **OUTER RING:** sintered steel impregnated with high efficiency lubricating fluid
- **INNER RING:** tempered, ground and polished steel for bearings 100Cr6 (1.3505)
- **MAINTENANCE:** maintenance free
- **TEMPERATURE RANGE:** -30° C to +120° C
- **USE & MAINTENANCE :** [see this page](#)
- **STATIC LOAD SERVICE LIFE :** [see this page](#)
- **TOLERANCES :** [see this page](#)

COMPONENTS AND DIMENSIONS



SCAN ME!



myRollon

Type		Measurements [mm]															Tilt angle	Rotational speed limit	Axial factor		Basic load rating		Radial clearance	Weight
Right hand thread	Left hand thread	d	G	B	C1	h/h1	d1	d2	d3	d4	dk	I1/13	I2/14	I5	I7	W	α (°)	n_{max} (min ⁻¹)	Y	Y0	dyn C (kN)	stat C0 (kN)	CN (μ m)	kg
CM6 OK M6	CML6 OK M6	6	M6	9	6.75	36	8.9	20	-	-	12.7	21	46	-	-	-	13	-	-	-	7.1	5.7	5-50	0.02
CM8 OK M8	CML8 OK M8	8	M8	12	9	42	10.4	24	-	-	15.87	25	54	-	-	-	14	-	-	-	12.1	10.5	7-61	0.04
CM10 OK M10	CML10 OK M10	10	M10	14	10.5	48	12.9	28	-	-	19.05	28	62	-	-	-	13	-	-	-	17.1	16.7	7-61	0.06
CM12 OK M12	CML12 OK M12	12	M12	16	12	54	15.4	32	-	-	22.22	32	70	-	-	-	13	-	-	-	23	23	8-75	0.1
CM16 OK M16	CML16 OK M16	16	M16	21	15	66	19.3	42	-	-	28.57	37	87	-	-	-	15	-	-	-	37.3	36.9	8-75	0.2

ROTATIONAL UNITS