

# BEMA

Data sheet - rev. 1.0

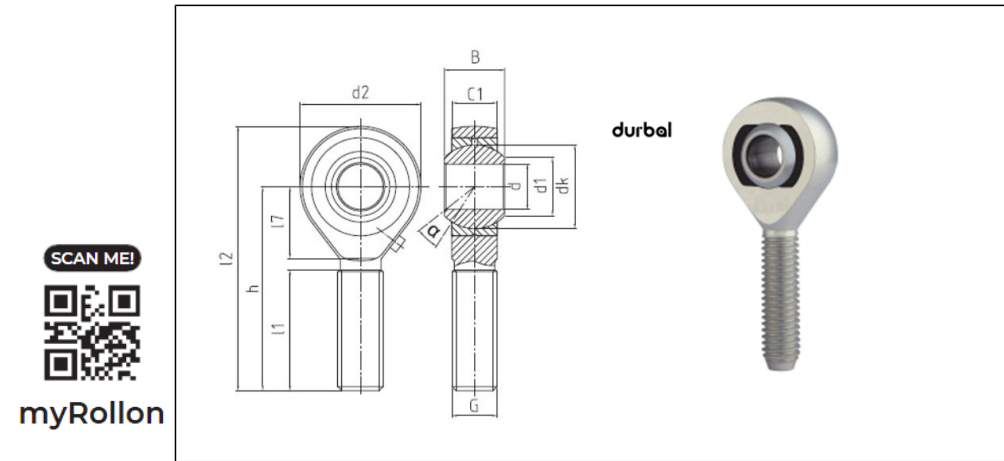
## Rod Ends - Classic Line Aluminium

Rod ends in aluminium with DURBAL-Glide (PTFE), male thread, series K, DIN ISO 12240-4, maintenance free

### FEATURES AND ADVANTAGES

- **HOUSING:** EN AW-7075 high-strength aluminum, surface anodized silver, several colour variants available additionally on request
- **RACE DURBAL-GLIDE:** Polyamid-PTFE-fibreglass-Compound
- **JOINT BALL:** AISI 440C stainless steel, hardened, ground, polished
- **MAINTENANCE:** maintenance-free
- **TEMPERATURE RANGE:** -30° C to +60° C
- **USE & MAINTENANCE :** [see this page](#)
- **STATIC LOAD SERVICE LIFE :** [see this page](#)
- **TOLERANCES :** [see this page](#)

### COMPONENTS AND DIMENSIONS



Type		Measurements [mm]															Tilt angle	Rotational speed limit	Axial factor		Basic load rating		Radial clearance	Weight
Right hand thread	Left hand thread	d	G	B	C1	h/h1	d1	d2	d3	d4	dk	l1/l3	l2/l4	l5	l7	W	$\alpha$ (°)	$n_{max}$ (min <sup>-1</sup> )	$\gamma$	$\gamma_0$	dyn C (kN)	stat C0 (kN)	CN ( $\mu$ m)	kg
BEMA 06 - 60 - 501	BEMA 06 - 60 - 502	6	M6	9	6.75	36	8.9	20	-	-	12.7	22	46	-	12	-	13	-	-	-	3.9	6.4	0-10	0.01
BEMA 08 - 60 - 501	BEMA 08 - 60 - 502	8	M8	12	9	42	10.3	24	-	-	15.87	25	54	-	15	-	14.5	-	-	-	5.9	11.8	0-10	0.02
BEMA 10 - 60 - 501	BEMA 10 - 60 - 502	10	M10	14	10.5	48	12.9	28	-	-	19.05	29	62	-	15	-	13.5	-	-	-	8.8	18.8	0-10	0.03
BEMA 12 - 60 - 501	BEMA 12 - 60 - 502	12	M12	16	12	54	15.4	32	-	-	22.22	33	70	-	19	-	13	-	-	-	10	27.5	0-10	0.05
BEMA 14 - 60 - 501	BEMA 14 - 60 - 502	14	M14	19	13.5	60	16.8	36	-	-	25.35	36	78	-	20	-	16	-	-	-	13.1	37.7	0-10	0.07
BEMA 16 - 60 - 501	BEMA 16 - 60 - 502	16	M16	21	15	66	19.3	42	-	-	28.52	40	87	-	22	-	15.5	-	-	-	19	51.9	0-10	0.11
BEMA 18 - 60 - 501	BEMA 18 - 60 - 502	18	M18x1.5	23	16.5	72	21.8	46	-	-	31.7	44	95	-	25	-	15	-	-	-	22.5	63.1	0-10	0.12
BEMA 20 - 60 - 501	BEMA 20 - 60 - 502	20	M20x1.5	25	18	78	24.3	50	-	-	34.87	47	103	-	28	-	14.5	-	-	-	26.2	81.1	0-10	0.15
BEMA 22 - 60 - 501	BEMA 22 - 60 - 502	22	M22x1.5	28	20	84	25.8	54	-	-	38.05	51	111	-	27	-	15.5	-	-	-	32.5	98.9	0-10	0.23
BEMA 25 - 60 - 501	BEMA 25 - 60 - 502	25	M24x2	31	22	94	29.5	60	-	-	42.8	57	124	-	30	-	15	-	-	-	38.6	120.6	0-10	0.32

# ROTATIONAL UNITS