

DS PB

Data sheet - rev. 1.0

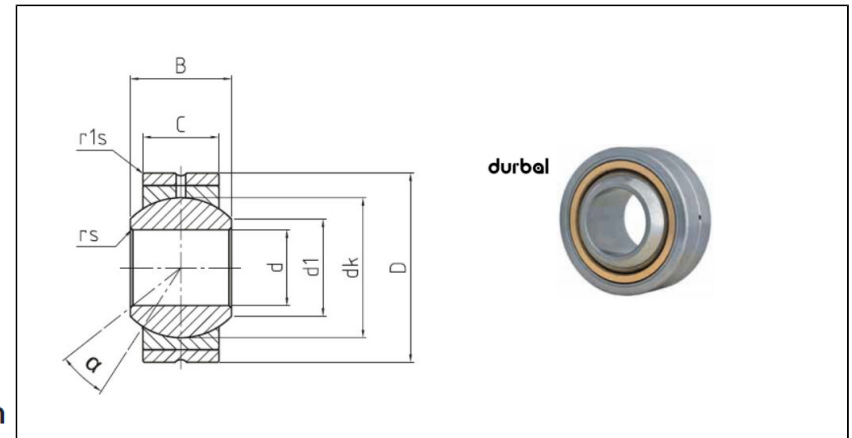
Spherical Plain Bearings - Basic Line

Spherical-plain bearing sliding combination steel / bearing brass, series K, similar to DIN ISO 12240-1

FEATURES AND ADVANTAGES

- Outer part: heat-treated steel with oil groove and drill holes
- Outer ring: bearing brass, oil groove and drill holes
- Joint ball: ball bearing steel, hardened, ground, polished
- Maintenance: maintenance required, oiled on delivery, initial lubrication by the user
- Temperature range: -40° C to +110° C
- USE & MAINTENANCE : [see this page](#)
- STATIC LOAD SERVICE LIFE : [see this page](#)
- TOLERANCES : [see this page](#)

COMPONENTS AND DIMENSIONS



Type	Measurements [mm]								Tilt angle α (°)	Rotational speed limit n_{max} (min ⁻¹)	Axial factor		Basic load rating		Radial clearance CN (µm)	Weight kg
	d	D	d1	B	C	dk	rs	rs1			Y	Y0	dyn C (kN)	stat C0 (kN)		
DS 05 PB	5	16	7.7	8	6	11.1	0.3	1.2	13	-	-	-	6.4	15	20-60	0.01
DS 06 PB	6	18	8.9	9	6.75	12.7	0.3	1.2	13	-	-	-	8.3	19	20-60	0.01
DS 08 PB	8	22	10.3	12	9	15.8	0.3	1.2	13	-	-	-	13	31	20-60	0.02
DS 10 PB	10	26	12.9	14	10.5	19	0.3	1.2	13	-	-	-	19	43	40-90	0.04
DS 12 PB	12	30	15.4	16	12	22.2	0.4	1.2	13	-	-	-	24	58	40-90	0.08
DS 14 PB	14	34	16.8	19	13.5	25.4	0.4	1.2	15	-	-	-	31	74	40-90	0.11
DS 16 PB	16	38	19.3	21	15	28.5	0.4	1.5	15	-	-	-	39	92	5-110	0.13
DS 18 PB	18	42	21.8	23	16.5	31.7	0.4	1.5	15	-	-	-	48	112	50-110	0.17
DS 20 PB	20	46	24.3	25	18	34.9	0.4	1.5	15	-	-	-	57	135	50-110	0.23
DS 22 PB	22	50	25.8	28	20	38.1	0.4	2	15	-	-	-	71	164	60-120	0.28
DS 25 PB	25	56	29.5	31	22	42.8	0.5	2	15	-	-	-	87	203	60-120	0.39
DS 30 PB	30	66	34.8	37	25	50.8	0.5	2	15	-	-	-	116	273	60-120	0.61