

EMA

Data sheet - rev. 1.0

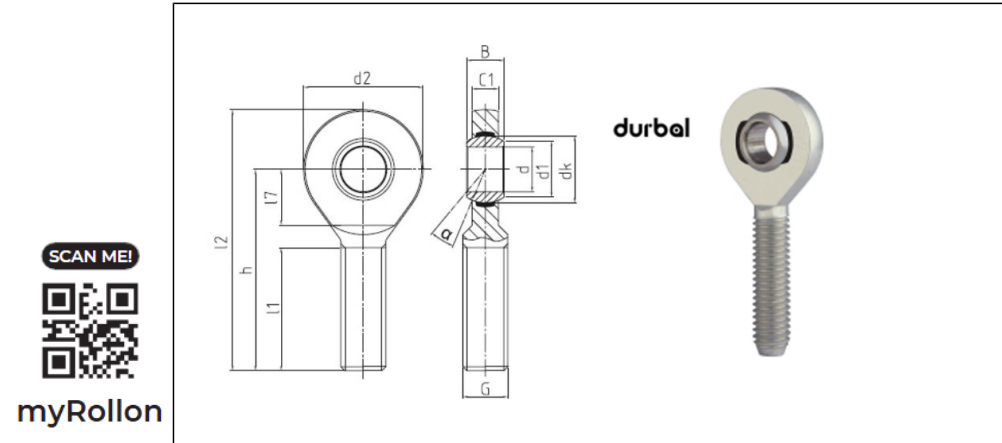
Rod Ends - Classic Line Aluminium

Rod ends in aluminium with DURBAL-Glide (PTFE), male thread, series E, DIN ISO 12240-4, maintenance free

FEATURES AND ADVANTAGES

- **HOUSING:** EN AW-7075 high-strength aluminum, surface anodized silver, several colour variants available additionally on request
- **RACE DURBAL-GLIDE:** Polyamid-PTFE-fibreglass-Compound
- **JOINT BALL:** AISI 440C stainless steel, hardened, ground, polished
- **MAINTENANCE:** maintenance free
- **TEMPERATURE RANGE:** -30° C to +60° C
- **USE & MAINTENANCE :** [see this page](#)
- **STATIC LOAD SERVICE LIFE :** [see this page](#)
- **TOLERANCES :** [see this page](#)

COMPONENTS AND DIMENSIONS



Type		Measurements [mm]															Tilt angle	Rotational speed limit	Axial factor		Basic load rating		Radial clearance	Weight
Right hand thread	Left hand thread	d	G	B	C1	h/h1	d1	d2	d3	d4	dk	l1/l3	l2/l4	l5	l7	W	α (°)	n _{max} (min ⁻¹)	Y	Y0	dyn C (kN)	stat C0 (kN)	CN (µm)	kg
EMA 06 - 60 - 501	EMA 06 - 60 - 502	6	M6	6	4	36	8	20	-	-	10	22	46	-	11	-	13	-	-	-	2.1	6.4	0-10	0.01
EMA 08 - 60 - 501	EMA 08 - 60 - 502	8	M8	8	5	42	10	23	-	-	13	25	53.5	-	12	-	15	-	-	-	3.6	11.8	0-10	0.01
EMA 10 - 60 - 501	EMA 10 - 60 - 502	10	M10	9	6	48	13	28	-	-	16	29	62	-	15	-	12	-	-	-	5.4	18.8	0-10	0.02
EMA 12 - 60 - 501	EMA 12 - 60 - 502	12	M12	10	7	54	15	32	-	-	18	33	70	-	15	-	10.5	-	-	-	7.8	27.5	0-10	0.03
EMA 15 - 60 - 501	EMA 15 - 60 - 502	15	M14	12	9	63	18	38	-	-	22	36	82	-	18	-	8.5	-	-	-	11.3	37.7	0-10	0.05
EMA 17 - 60 - 501	EMA 17 - 60 - 502	17	M16	14	10	69	20	44	-	-	25	40	91	-	23	-	10	-	-	-	16.3	51.9	0-10	0.07
EMA 20 - 60 - 501	EMA 20 - 60 - 502	20	M20x1.5	16	12	78	24	51	-	-	29	47	103.5	-	25	-	9	-	-	-	21.4	81.1	0-10	0.12
EMA 25 - 60 - 501	EMA 25 - 60 - 502	25	M24x2	20	16	94	29	62	-	-	35.5	57	125	-	32	-	7.5	-	-	-	25.4	131.3	0-10	0.29

ROTATIONAL UNITS