

DGE LO

Data sheet - rev. 1.0

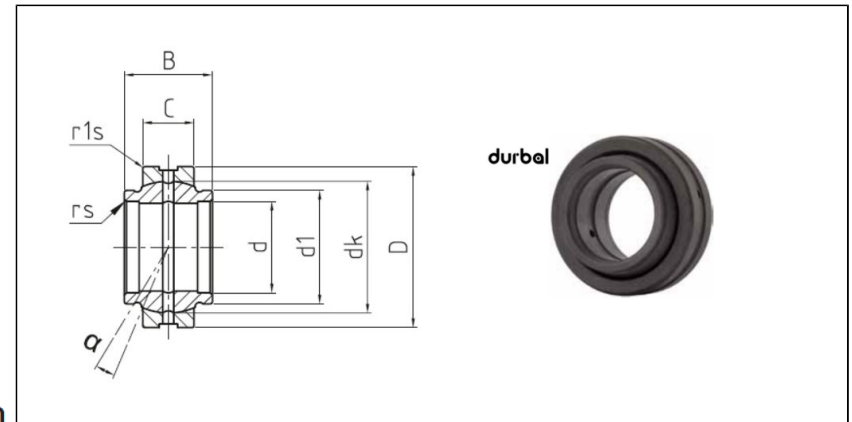
Spherical Plain Bearings - Basic Line

Spherical-plain bearing with steel/steel, series W, DIN ISO 12240-1, maintenance required

FEATURES AND ADVANTAGES

- Outer ring: ball bearing steel, hardened, ground, phosphated, single split, from size 16 with oil groove and drill holes
- Joint ball: ball bearing steel, hardened, ground, phosphated
- Maintenance: maintenance required, oiled on delivery, initial lubrication by the user
- Temperature range: -40° C to +200° C
- USE & MAINTENANCE : [see this page](#)
- STATIC LOAD SERVICE LIFE : [see this page](#)
- TOLERANCES : [see this page](#)

COMPONENTS AND DIMENSIONS



Type	Measurements [mm]								Tilt angle α (°)	Rotational speed limit n_{max} (min ⁻¹)	Axial factor		Basic load rating		Radial clearance CN (µm)	Weight kg
	d	D	d1	B	C	dk	rs	rs1			Y	YO	dyn C (kN)	stat C0 (kN)		
DGE 12 LO	12	22	15	12	7	18	0.3	0.3	4	-	-	10	54	32-68	0.02	
DGE 16 LO	16	28	20	16	9	23	0.3	0.3	4	-	-	17.6	88	40-82	0.04	
DGE 20 LO	20	35	25	20	12	29	0.3	0.3	4	-	-	30	146	40-82	0.07	
DGE 25 LO	25	42	30	25	16	35.5	0.6	0.6	4	-	-	48	240	50-100	0.12	
DGE 30 LO	30	47	34	30	18	40	0.6	0.6	4	-	-	62	310	50-100	0.17	
DGE 32 LO	32	52	38	32	18	44	0.6	1	4	-	-	67	335	50-100	0.21	
DGE 35 LO	35	55	40	35	20	48	0.6	1	4	-	-	79	399	50-100	0.25	
DGE 40 LO	40	62	46	40	22	53	0.6	1	4	-	-	100	500	60-120	0.33	
DGE 50 LO	50	75	57	50	28	66	0.6	1	4	-	-	156	780	60-120	0.56	
DGE 60 LO	60	90	68	60	36	80	1	1	4	-	-	245	1220	60-120	1.15	
DGE 63 LO	63	95	71.5	63	36	83	1	1	4	-	-	255	1270	72-142	1.25	
DGE 70 LO	70	105	79	70	40	92	1	1	4	-	-	315	1560	72-142	1.71	
DGE 80 LO	80	120	91	80	45	105	1	1	4	-	-	400	2000	72-142	2.39	
DGE 90 LO	90	130	99	90	50	115	1	1	4	-	-	488	2440	72-142	3.21	
DGE 100 LO	100	150	113	100	55	130	1	1	4	-	-	607	3030	85-165	4.8	
DGE 110 LO	110	160	124	110	55	140	1	1	4	-	-	654	3270	85-165	5.78	
DGE 125 LO	125	180	138	125	70	160	1	1	4	-	-	950	4750	85-165	8.49	
DGE 160 LO	160	230	177	160	80	200	1	1	4	-	-	1360	6800	100-192	16.5	
DGE 200 LO	200	290	221	200	100	250	1.1	1.1	4	-	-	2120	10600	100-192	32.1	
DGE 250 LO	250	400	314	250	120	350	1.1	1.1	4	-	-	3750	17800	110-214	99.1	
DGE 320 LO	320	520	405	320	160	450	1.1	1.1	4	-	-	6200	30500	135-261	225	

ROTATIONAL UNITS