

DGE DW

Data sheet - rev. 1.0

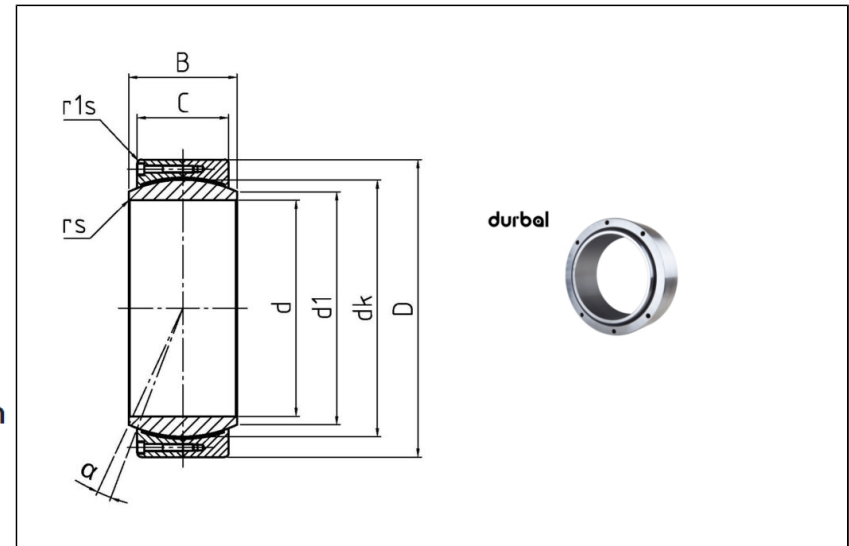
Spherical Plain Bearings - Basic Line

XXL-Large-radial-spherical-plain bearing, sliding combination steel / PTFE, series C, according to DIN ISO 12240-1

FEATURES AND ADVANTAGES

- Outer ring: heat-treated steel, hardened, radially split, it is held together by means of screws and dowel pins, bonded with PTFE – sheet,
- Joint ball: ball bearing steel, hardened, ground, polished and hard chromium plated
- Maintenance: maintenance free
- Temperature range: -40° C to +200° C
- USE & MAINTENANCE : [see this page](#)
- STATIC LOAD SERVICE LIFE : [see this page](#)
- TOLERANCES : [see this page](#)

COMPONENTS AND DIMENSIONS



Type	Measurements [mm]								Tilt angle α (°)	Rotational speed limit n_{max} (min ⁻¹)	Axial factor		Basic load rating		Radial clearance CN (µm)	Weight kg
	d	D	d1	B	C	dk	rs	rs1			Y	Y0	dyn C (kN)	stat C0 (kN)		
DGE 320 DW	320	440	344.6	160	135	380	1.1	3	4	-	-	14774	24624	0-125	77	
DGE 340 DW	340	460	366.6	160	135	400	1.1	3	3.8	-	-	15429	25920	0-125	82	
DGE 360 DW	360	480	388.3	160	135	420	1.1	3	3.6	-	-	16200	27216	0-135	84.2	
DGE 380 DW	380	520	407.9	190	160	150	1.5	4	4.1	-	-	20571	34560	0-135	129	
DGE 400 DW	400	540	429.8	190	160	470	1.5	4	3.9	-	-	21486	36096	0-135	133	
DGE 420 DW	420	560	451.6	190	160	490	1.5	4	3.7	-	-	22400	37632	0-135	138	
DGE 440 DW	440	600	472	218	185	520	1.5	4	3.9	-	-	27486	46176	0-145	193	
DGE 460 DW	460	620	494	218	185	540	1.5	4	3.7	-	-	28543	47952	0-145	200	
DGE 480 DW	480	650	516	230	195	565	2	5	3.8	-	-	31479	52884	0-145	237	
DGE 500 DW	500	670	537.8	230	195	585	2	5	3.6	-	-	32593	54756	0-145	244	
DGE 530 DW	530	710	570.3	243	205	620	2	5	3.7	-	-	39314	61008	0-145	289	
DGE 560 DW	560	750	602	258	215	655	2	5	4	-	-	40236	67596	0-160	325	
DGE 600 DW	600	800	644.9	272	230	700	2	5	3.6	-	-	46000	77280	0-160	407	

ROTATIONAL UNITS