

# DGE UK-2RS

Data sheet - rev. 1.0

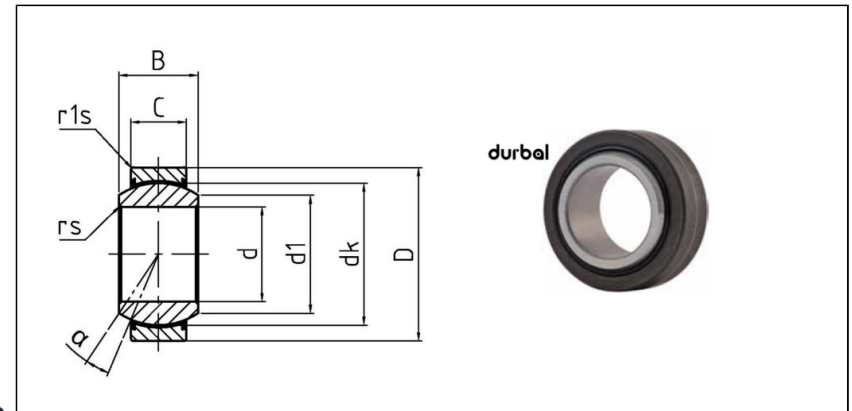
## Spherical Plain Bearings - Basic Line

Radial-spherical plain bearing sliding combination steel / PTFE, with -2RS lip seals on both sides, series E, according to DIN ISO 12240-1

### FEATURES AND ADVANTAGES

- Outer ring: heat-treated steel, hardened, single split, bonded with PTFE – fabric, with -2RS lip seals on both sides
- Joint ball: ball bearing steel, hardened, ground, polished and hard chromium plated
- Maintenance: maintenance free
- Temperature range: -40° C to +120° C
- USE & MAINTENANCE : [see this page](#)
- STATIC LOAD SERVICE LIFE : [see this page](#)
- TOLERANCES : [see this page](#)

### COMPONENTS AND DIMENSIONS



SCAN ME!



myRollon

Type	Measurements [mm]								Tilt angle $\alpha$ (°)	Rotational speed limit $n_{max}$ (min <sup>-1</sup> )	Axial factor		Basic load rating		Radial clearance CN (µm)	Weight kg
	d	D	d1	B	C	dk	rs	rs1			Y	Y0	dyn C (kN)	stat C0 (kN)		
DGE 15 UK-2RS	15	26	18	12	9	22	0.3	0.3	10	-	-	26	52	0-40	0.04	
DGE 17 UK-2RS	17	30	20	14	10	25	0.3	0.3	10	-	-	48.7	81.2	0-40	0.04	
DGE 20 UK-2RS	20	35	24	16	12	29	0.3	0.3	9	-	-	67.5	112	0-40	0.07	
DGE 25 UK-2RS	25	42	29	20	16	35.5	0.6	0.6	7	-	-	127	212	0-50	0.12	
DGE 30 UK-2RS	30	47	34	22	18	40.7	0.6	0.6	6	-	-	165	275	0-50	0.15	
DGE 35 UK-2RS	35	55	39	25	20	47	0.6	1	6	-	-	210	350	0-50	0.23	
DGE 40 UK-2RS	40	62	45	28	22	53	0.6	1	7	-	-	277	462	0-60	0.31	
DGE 45 UK-2RS	45	68	50	32	25	60	0.6	1	7	-	-	360	600	0-60	0.43	
DGE 50 UK-2RS	50	75	55	35	28	66	0.6	1	6	-	-	442	737	0-60	0.55	
DGE 60 UK-2RS	60	90	66	44	36	80	1	1	6	-	-	690	1150	0-60	1.04	
DGE 70 UK-2RS	70	105	77	49	40	92	1	1	6	-	-	885	1475	0-72	1.55	
DGE 80 UK-2RS	80	120	88	55	45	105	1	1	6	-	-	1125	1875	0-72	2.31	
DGE 90 UK-2RS	90	130	98	60	50	115	1	1	5	-	-	1380	2300	0-72	2.75	
DGE 100 UK-2RS	100	150	109	70	55	130	1	1	5	-	-	1717	2862	0-85	4.45	
DGE 110 UK-2RS	110	160	121	70	55	140	1	1	4	-	-	1845	3075	0-85	4.82	
DGE 120 UK-2RS	120	180	135	85	70	160	1	1	4	-	-	2685	4475	0-85	8.05	
DGE 140 UK-2RS	140	210	155	90	70	180	1	1	5	-	-	3015	5025	0-85	11.02	
DGE 160 UK-2RS	160	230	170	105	80	200	1	1	6	-	-	3840	6400	0-100	14.01	
DGE 180 UK-2RS	180	260	199	105	80	225	1.1	1.1	4	-	-	4320	7200	0-100	18.65	
DGE 200 UK-2RS	200	290	213	130	100	250	1.1	1.1	4	-	-	6000	10000	0-100	28.03	
DGE 220 UK-2RS	220	320	239	135	100	275	1.1	1.1	5	-	-	6600	11000	0-110	35.51	
DGE 240 UK-2RS	240	340	265	140	100	300	1.1	1.1	5	-	-	72000	12000	0-110	39.91	
DGE 260 UK-2RS	260	370	288	150	110	325	1.1	1.1	5	-	-	8550	14250	0-125	51.54	
DGE 280 UK-2RS	280	400	313	155	120	350	1.1	1.1	4	-	-	10050	16750	0-125	65.06	
DGE 300 UK-2RS	300	430	336	165	120	375	1.1	1.1	5	-	-	10800	18000	0-125	78.07	

# ROTATIONAL UNITS