

DGE ES

Data sheet - rev. 1.0

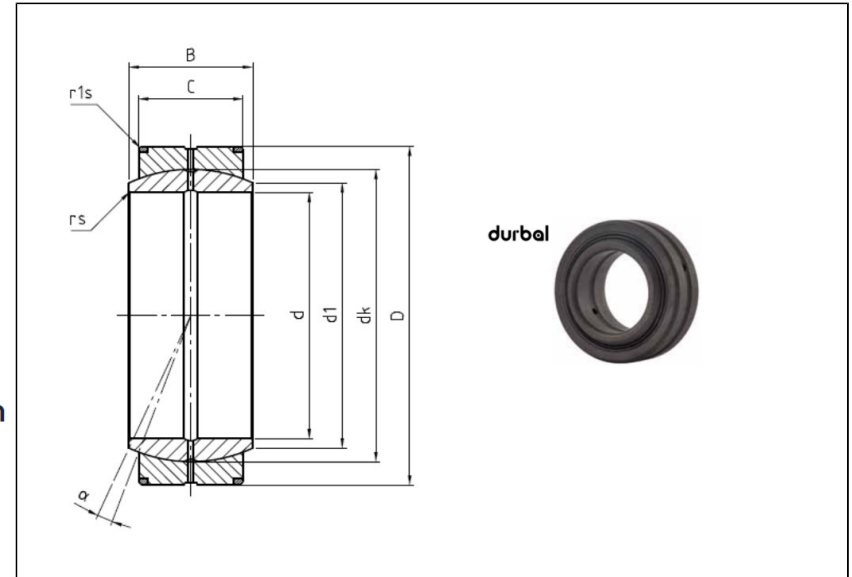
Spherical Plain Bearings - Basic Line

XXL-Large-radial-spherical-plain bearing with steel/steel, series C, DIN ISO 12240-1, maintenance required

FEATURES AND ADVANTAGES

- **Outer ring:** ball bearing steel, hardened, ground, phosphated, single split, with oil groove and drill holes, optional with -2RS lip seals on both sides,
- **Joint ball:** ball bearing steel, hardened, ground, phosphated
- **Maintenance:** maintenance required, oiled on delivery, initial lubrication by the user
- **Temperature range:** -40° C to +200° C
- USE & MAINTENANCE : [see this page](#)
- STATIC LOAD SERVICE LIFE : [see this page](#)
- TOLERANCES : [see this page](#)

COMPONENTS AND DIMENSIONS



Type	Measurements [mm]								Tilt angle	Rotational speed limit	Axial factor		Basic load rating		Radial clearance	Weight
	d	D	d1	B	C	dk	rs	rs1	α (°)	n_{max} (min ⁻¹)	Y	YO	dyn C (kN)	stat C0 (kN)	CN (µm)	kg
DGE 320 ES	320	440	344.6	160	135	380	1.1	3	4	-	-	-	4361	21803	125-239	77
DGE 340 ES	340	460	366.6	160	135	400	1.1	3	3.8	-	-	-	4590	22950	125-239	82
DGE 360 ES	360	480	388.3	160	135	420	1.1	3	3.6	-	-	-	4820	24098	135-261	84.2
DGE 380 ES	380	520	407.9	190	160	450	1.5	4	4.1	-	-	-	6120	30600	135-261	129
DGE 400 ES	400	540	429.8	190	160	470	1.5	4	3.9	-	-	-	6392	31960	135-261	133
DGE 420 ES	420	560	451.6	190	160	490	1.5	4	3.7	-	-	-	6664	33320	135-261	138
DGE 440 ES	440	600	472	218	185	520	1.5	4	3.9	-	-	-	8177	40885	145-285	193
DGE 460 ES	460	620	494	218	185	540	1.5	4	3.7	-	-	-	8492	42458	145-285	200
DGE 480 ES	480	650	516	230	195	565	2	5	3.8	-	-	-	9365	46824	145-285	237
DGE 500 ES	500	670	537.8	230	195	585	2	5	3.6	-	-	-	9696	48482	145-285	244
DGE 530 ES	530	710	570.3	243	205	620	2	5	3.7	-	-	-	10804	54018	145-285	289
DGE 560 ES	560	750	602	258	215	655	2	5	4	-	-	-	11970	59851	160-320	325
DGE 600 ES	600	800	644.9	272	230	700	2	5	3.6	-	-	-	13685	68425	160-320	407
DGE 630 ES	630	850	676.4	300	260	740	3	6	3.3	-	-	-	16354	81770	160-320	525
DGE 670 ES	670	900	722	308	260	785	3	6	3.7	-	-	-	17349	86743	160-320	594
DGE 710 ES	710	950	763.7	325	275	830	3	6	3.7	-	-	-	19401	97006	170-350	693
DGE 750 ES	750	1000	808.3	335	280	875	3	6	3.8	-	-	-	20825	104125	170-350	779
DGE 800 ES	800	1060	859.5	355	300	930	3	6	3.6	-	-	-	23715	118575	170-350	920
DGE 850 ES	850	1120	914.8	365	310	985	3	6	3.4	-	-	-	25955	129774	170-350	1047
DGE 900 ES	900	1180	970	375	320	1040	3	6	3.2	-	-	-	28288	141440	195-405	1184
DGE 950 ES	950	1250	1024.6	400	340	1100	4	7.5	3.3	-	-	-	31790	158950	195-405	1420
DGE 1000 ES	1000	1320	1074.1	438	370	1160	4	7.5	3.5	-	-	-	36482	182410	195-405	1742

ROTATIONAL UNITS