

# GLE

Data sheet - rev. 1.0

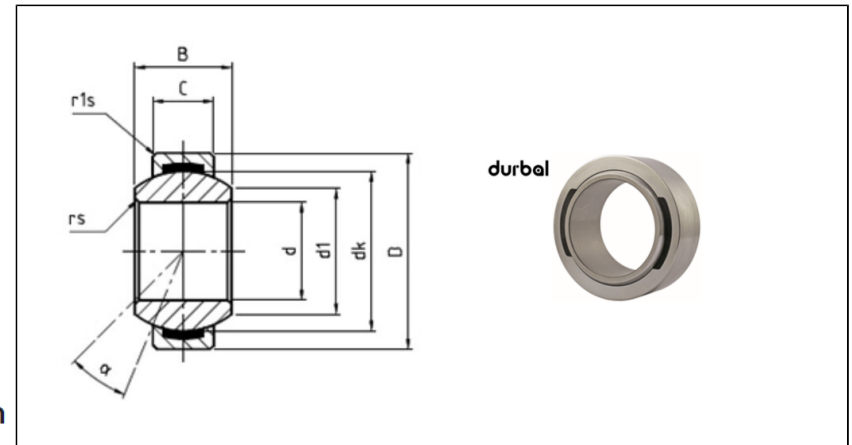
## Spherical Plain Bearings - Classic Line

Heavy-duty spherical-plain bearing, sliding combination steel / DURBAL-Glide (PTFE), series E, according to DIN ISO 12240-1

### FEATURES AND ADVANTAGES

- Outer ring: C45 steel with injected DURBAL-Glide (Polyamid-PTFE-fibreglass-Compound)
- Joint ball: 100Cr6 ball bearing steel, hardened, ground, polished and hard chromium plated
- Maintenance: maintenance free
- Temperature range: -30° C to +60° C
- USE & MAINTENANCE : [see this page](#)
- STATIC LOAD SERVICE LIFE : [see this page](#)
- TOLERANCES : [see this page](#)

### COMPONENTS AND DIMENSIONS



SCAN ME!



myRollon

Type	Measurements [mm]								Tilt angle $\alpha$ (°)	Rotational speed limit $n_{max}$ (min <sup>-1</sup> )	Axial factor		Basic load rating		Radial clearance CN (µm)	Weight kg
	d	D	d1	B	C	dk	rs	rs1			Y	Y0	dyn C (kN)	stat C0 (kN)		
GLE 06 - 20 - 500	6	14	8	6	4	10	0.3	0.3	13	-	-	-	2.5	6.4	0-10	0
GLE 08 - 20 - 500	8	16	10	8	5	13	0.3	0.3	15	-	-	-	4.2	11	0-10	0.01
GLE 10 - 20 - 500	10	19	13	9	6	16	0.3	0.3	12	-	-	-	6.4	16.8	0-10	0.01
GLE 12 - 20 - 500	12	22	15	10	7	18	0.3	0.3	10.5	-	-	-	9.2	23	0-10	0.02
GLE 15 - 20 - 500	15	26	18	12	9	22	0.3	0.3	8.5	-	-	-	13.4	39.6	0-10	0.24
GLE 17 - 20 - 500	17	30	20	14	10	25	0.3	0.3	10	-	-	-	19.2	54.1	0-10	0.04
GLE 20 - 20 - 500	20	35	24	16	12	29	0.3	0.3	9	-	-	-	25.2	76.7	0-10	0.06
GLE 25 - 20 - 500	25	42	29	20	16	35.5	0.6	0.6	7.5	-	-	-	42.4	119.1	0-10	0.11
GLE 30 - 20 - 500	30	47	34	22	18	40.7	0.6	0.6	6	-	-	-	54	141.8	0-10	0.15
GLE 35 - 20 - 500	35	55	39	25	20	47	0.6	1	6.5	-	-	-	70.4	180.8	0-10	0.23
GLE 40 - 20 - 500	40	62	45	28	22	53	0.6	1	7	-	-	-	86	222.6	0-10	0.3
GLE 45 - 20 - 500	45	69	50	32	25	60	0.6	1	7.5	-	-	-	107	276.2	0-10	0.43
GLE 50 - 20 - 500	50	75	55	35	28	66	0.6	1	6.5	-	-	-	132	339.2	0-10	0.52
GLE 60 - 20 - 500	60	90	66	44	36	80	1	1	6.5	-	-	-	208	532.1	0-10	0.82

# ROTATIONAL UNITS