

# CMEX

Data sheet - rev. 1.0

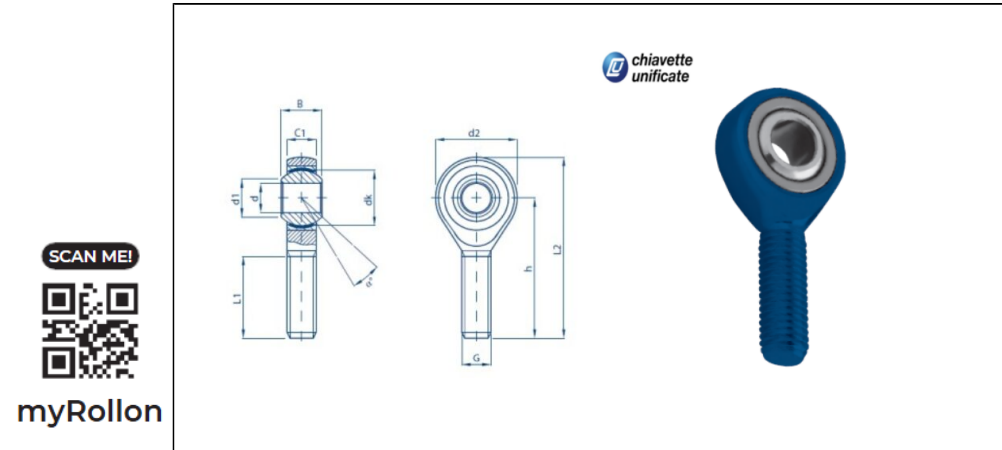
## Rod Ends - Tesno Ergal Stainless Steel

Self-lubricating rod ends with PTFE in ergal and stainless steel, male thread, series K, DIN ISO 12240-4, maintenance free

### FEATURES AND ADVANTAGES

- **HOUSING:** ERGAL (alloy EN AW 7075 state T6) blue or purple anodized surface
- **OUTER RING:** stainless steel X5CrNi1810 (1.4301 – AISI 304) with PTFE bonded on the inner surface
- **INNER RING:** AISI 440c stainless steel
- **MAINTENANCE:** maintenance free
- **TEMPERATURE RANGE:** -40° C to +200° C
- **USE & MAINTENANCE :** [see this page](#)
- **STATIC LOAD SERVICE LIFE :** [see this page](#)
- **TOLERANCES :** [see this page](#)

### COMPONENTS AND DIMENSIONS



Type		Measurements [mm]															Tilt angle	Rotational speed limit	Axial factor		Basic load rating		Radial clearance	Weight
Right hand thread	Left hand thread	d	G	B	C1	h/h1	d1	d2	d3	d4	dk	I1/I3	I2/I4	I5	I7	W	$\alpha$ (°)	$n_{max}$ (min <sup>-1</sup> )	Y	Y0	dyn C (kN)	stat C0 (kN)	CN ( $\mu$ m)	kg
CMEX6 M6	CMEXL6 M6	6	M6	9	6.75	36	8.9	20	-	-	12.7	21	46	-	-	-	13	-	-	-	11	6.4	0-32	0.01
CMEX8 M8	CMEXL8 M8	8	M8	12	9	42	10.4	24	-	-	15.87	25	54	-	-	-	14	-	-	-	19	11.8	0-32	0.04
CMEX10 M10	CMEXL10 M10	10	M10	14	10.5	48	12.9	28	-	-	19.05	28	62	-	-	-	13	-	-	-	27.1	18.8	0-32	0.06
CMEX12 M12	CMEXL12 M12	12	M12	16	12	54	15.4	32	-	-	22.22	32	70	-	-	-	13	-	-	-	36.7	25.9	0-40	0.09

# ROTATIONAL UNITS